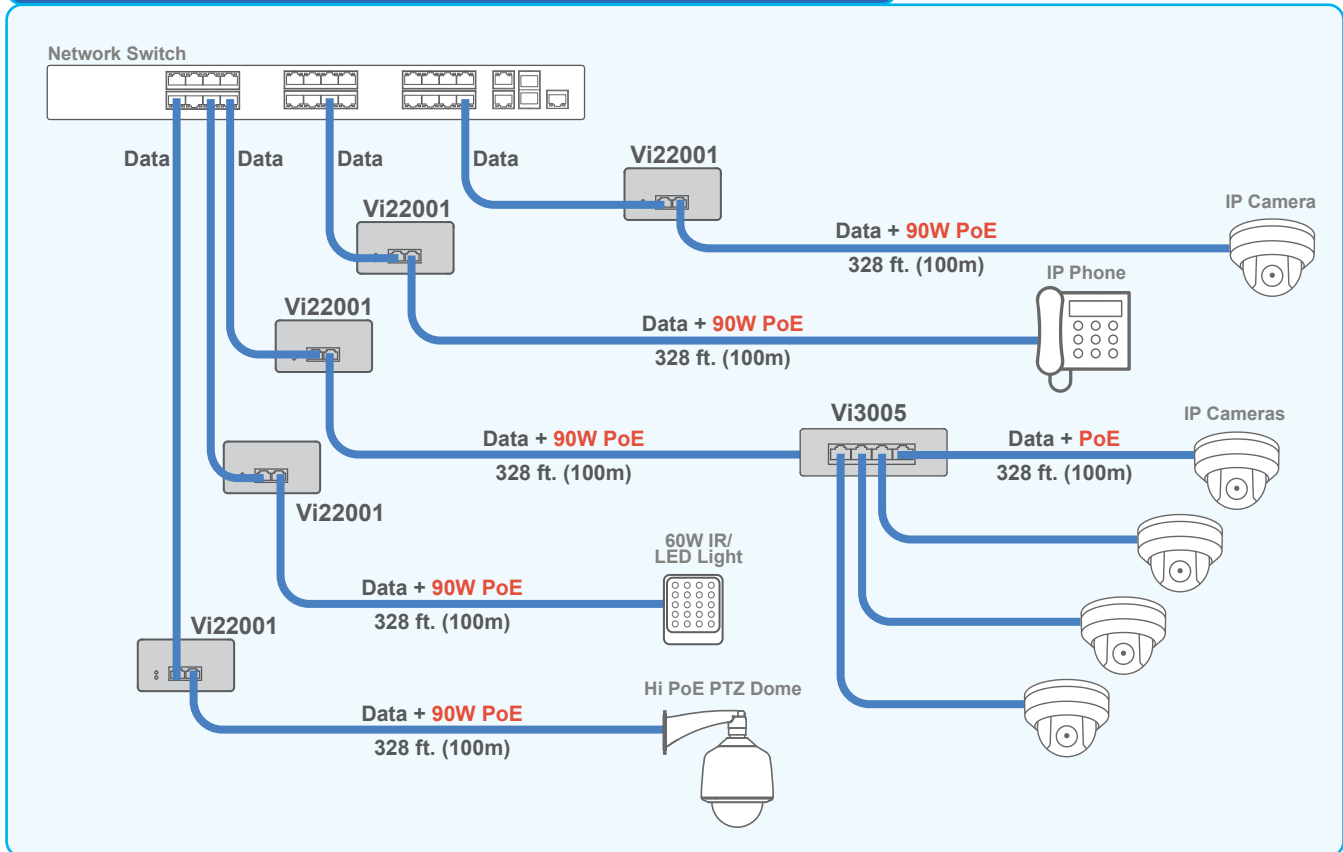


Vi22001

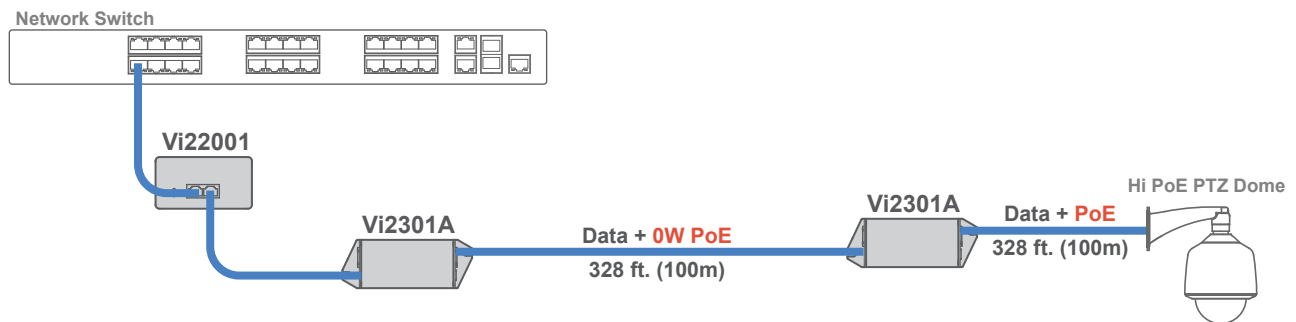
Application Diagrams

Powering PoE devices at standard and Extended Distances



The Vi22001 can be used to provide power to a wide variety high PoE power PoE powered devices with Single or Dual PDs.

Powering High power PoE devices at Extended Distances



The Vi22001 can be used along with extenders to provide power to PoE powered devices at long distances.