

# Vi22401U

## Single Port 60W IEEE 802.3bt PoE Midspan

### Features

- Single port IEEE 802.3.af/at/bt PoE class 0-6
- Compliant to 10/100/1000 Base-T devices
- Built-in 65W universal power supply
- Automatically senses single or dual PD devices
- Complies with IEEE 802.3 safety standards for automatic detection and over-current protection
- Built-in PoE surge protection
- Provides high data rate and power for Megapixel IP camera applications
- Tested to RFC 2544 packet transmission standards
- Compact design



### Applications

- PoE source for IEEE standard PoE devices up to 60W
- Compatible with devices using UPoE
- Cost effective solution for applications using non-PoE network switch

Vigtron's MaxiiPower™ Vi22401U is a high power single port Midspan compliant to IEEE 802.3af, at, bt classes 0-6 up to 60W. It is a cost effective solution for powering a wide range of IP cameras that offers all standard PoE safety features including detection, connection/disconnection and fault protection. With a transmission bandwidth of up to 1Gbps, its application has virtually no bandwidth limitations and interfaces with the highest megapixel cameras.

The Vi22401U includes a 65W built-in power supply. The size and operating temperature range of -20°C to 60°C make it the perfect solution for outdoor applications using environment enclosures. It provides a wide operating temperature range that meets the requirements for outdoor operation in weatherproof enclosures.

The Vi22401U complies with all network transmission standards and is an ideal solution for powering IEEE standard powered devices that requires high power PoE devices requiring up to 60W.

---

# Technical Specification\*

---

## Electrical

Ethernet Interface	Standard 10/100/1000 BaseTX
UTP	Category-5 (or higher)
Output Power	60W @ 54VDC
AC Input Power	90-264VAC, 50-60 Hz
PoE Standards	IEEE 802.3af IEEE 802.3at IEEE 802.3bt class 0-6 up to 60W
Status LEDs	Power: Green LED PoE On: Green
Connectors	Input Interface: Shielded RJ-45 Output Interface: Shielded RJ-45 Main Power: IEC 320-C14 inlet

## Regulatory

Safety	CE
Environmental	RoHS, WEEE

## Environmental

Humidity	0 to 90%, non-condensing
Temperature	Operating: -20°C to +60°C Storage: -30°C to +70°C

## Mechanical

Dimensions	1.87x2.56x6.17 in., 4.7x6.5x15.3 cm (HxWxL)
Weight	0.95 lb (430 g)
Material	Extruded Aluminum

## Included Accessories

Molded IEC 7 ft. (200 cm) power cord

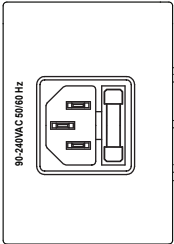
\*Specifications subject to change without notice.

## Ordering Information

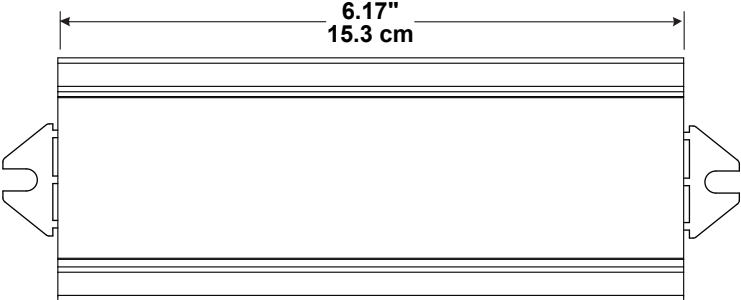
Part No.	Description
Vi22401U	Single port 60W PoE Midspan



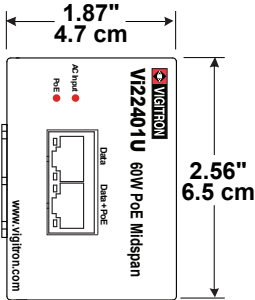
# Mechanical Drawings



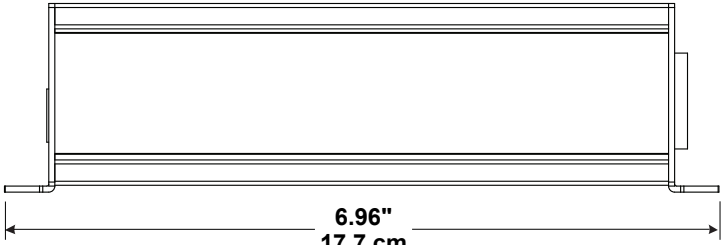
Right View



Top View



Left View

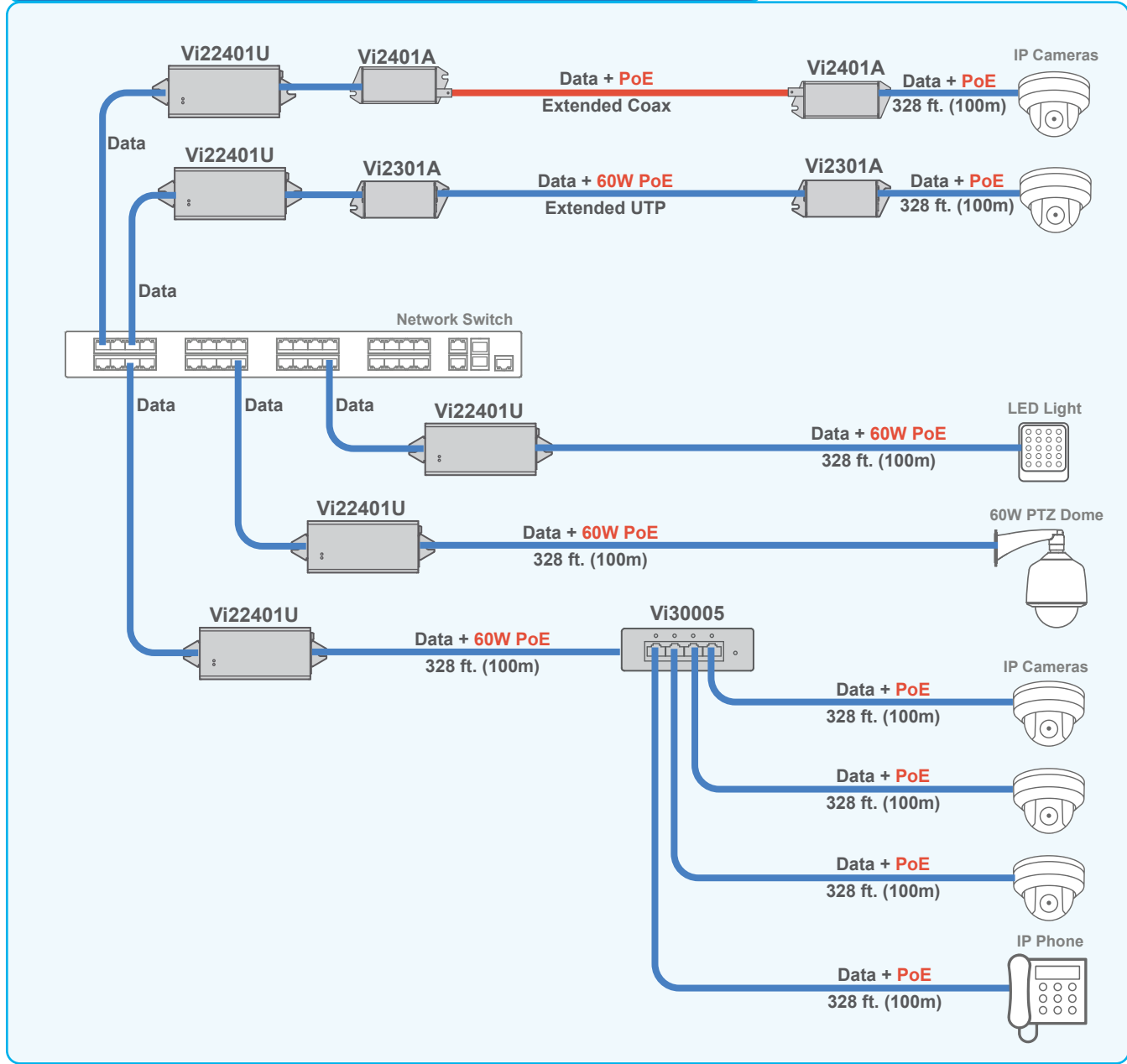


Bottom View

# Application Drawings



## Powering PoE devices at standard and extended distances



The Vi22401U can power a wide range of IEEE standard PoE devices at standard and extended distances up to 60W.

### Free Design Services

Vigtron offers free and without obligation network design services and technical support. Please contact us at [support@vigtron.com](mailto:support@vigtron.com) for network designs specific to you application.

