

# Vi00021U

## IP camera Installation and 90W PoE Test Tool

### Features

- Provides a simple way to setup and focus PoE powered IP cameras
- Maintains PoE power to the IP camera while making a local Ethernet connection to a laptop to view the camera image
- Displays accurately the PoE voltage and power at the camera
- 10/100/1000BASE-T compliant with integrated network crossover
- Compatible with IEEE 802.af, at, bt class 0-8 and UPoE up to 90W
- Does not require external power source, uses PoE power from the network
- Low cost and easy to use
- Speeds up the IP camera installation
- Patented design

### Applications

- Installing or troubleshooting PoE cameras
- Installing or troubleshooting PoE enabled devices
- CCTV System for Casinos, Airports, School campuses



Vigtron's Vi00021U ViewMate™ is a compact yet powerful tool designed to simplify the installation and troubleshooting of PoE powered devices. It accurately and continuously measures and displays the voltage and power level of PoE at the camera input up to 90W.

The Vi00021U ViewMate™ enables PoE pass-through, supplying power from the Network to the connected PoE devices like IP cameras. It also allows network connectivity between the IP camera and a laptop, enabling easy focusing and setup.

The Vi00021U is powered by PoE and do not need any external power sources. It supports IEEE 802.3af/at/bt standards (Class 0-8), UPoE, and many non-standard PoE systems up to 90W for 10/100/1000Base-T connections.

With a patented and rugged design in a compact form, ViewMate™ is an ideal installation and diagnostic tool for professionals working with both CCTV and IT PoE systems.

# Technical Specification\*

## Electrical

Connectors	"POE In": RJ-45 Connector "Monitor": RJ-45 Connector "Camera": Built-in 9 inch Cat-5 cable with RJ45 plug
Network Interface	10/100/1000BASE-T, Half or Full Duplex Includes integrated network crossover
Laptop Interface	10/100/1000BASE-T, Half or Full Duplex Integrated network crossover
PoE Standards	IEEE 802.3af, at, bt Class 0-8, UPoE and most non-standard PoEs up to 90W
Display	PoE Voltage: 2-Digit LED Display PoE Power: 2-Digit LED Display
Power Supply	Uses PoE, no external power needed

## Environmental

Humidity	0 to 95%, non-condensing
Temperature	Operating: -40°C to +75°C Storage: -40°C to +80°C
Dimensions	1.52x1.09x2.24 in., 3.87x2.75x5.67 cm (HxWxL)
Weight	0.116 lb, 53 g
Material	ABS plastic, UL rating of 94V-0

\*Specifications subject to change without notice.

## Ordering Information

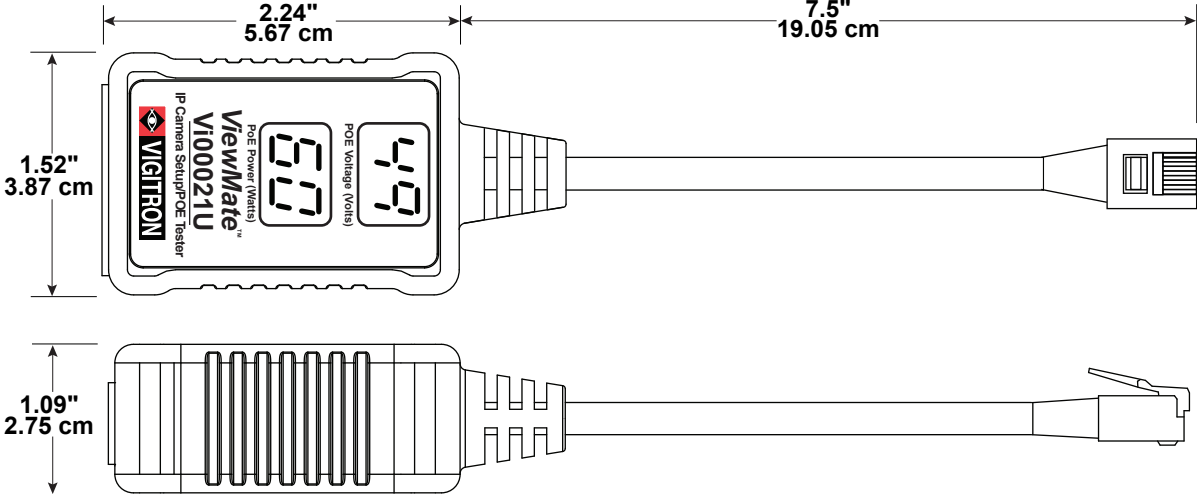
Part No.	Description
<b>Vi00021U</b>	IP camera Installation and PoE Test Tool

## Related Products

Part No.	Description
<b>Vi00019</b>	IP Camera Setup and PoE Test Tool
<b>Vi00022</b>	Wireless IP Camera setup and PoE Tester Tool
<b>Vi00023L</b>	Wireless IP Camera Installation Tool w/PoE Power Bank
<b>Vi00023</b>	Wireless IP Camera Installation Tool w/Removable PoE Power Bank
<b>Vi00024</b>	PoE Maximum Load Meter
<b>Vi00027</b>	PoE Test Tool



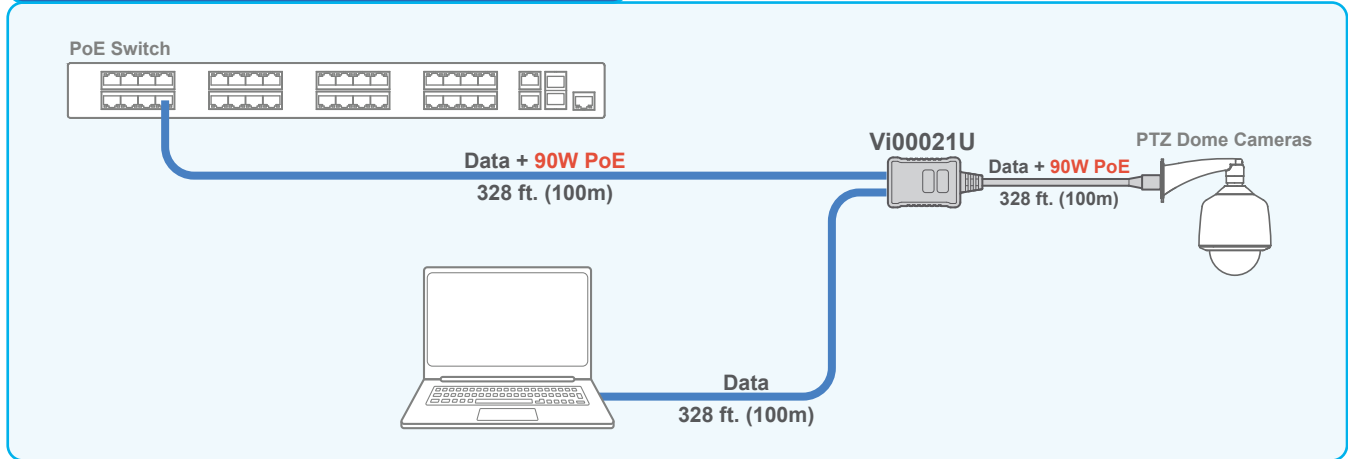
# Mechanical Drawings



# Application Drawings

— Cat 5/6

## Connecting the camera to wired devices



The Vi00021U enables connecting to a laptop using a wired connection to setup and focus IP cameras.