

Vi2400WP

Weatherproof IP67 Ethernet Extender over Coax

Features

- Transmits Ethernet and PoE up to 5,000 feet (1,515 m) over Coax cable
- IP67 weatherproof/waterproof construction for mounting on buildings and poles
- Certified for IEC60068-2-52 for salt laden environments
- Simplifies installation and lowers costs by eliminating need for extra enclosures
- Saves equipment costs and reduces installation time
- Pass Through PoE (PTP™) compatible with 802.3af and 802.3at PoE
- MegaPixel Certified (MPC™) High data rate, ideal for high bandwidth requirements of Mega-pixelcameras and multiple IP cameras systems requiring Jumbo Frames
- Symmetric Bandwidth (SBW™) provides consistent upload and download with Virtual Zero Packet Loss (VZPL™) over total specified distance
- Type tested to RFC-2544 TCP/IP network bandwidth packet transmission standards
- Type tested for -40°C to +75°C temperature range
- Complies to major IEEE standards and RFC network protocols for UDP, TCP/IP, HTTP/HTTPS
- 6KV surge protection
- Complies to major IEEE standards and RFC network protocols for UDP, TCP/IP, HTTP/HTTPS



Applications

- Retrofit analog CCTV installations into Digital systems.
- Extending Networks in industrial environment.
- CCTV System for Casinos, Airports, School Campuses

Vigtron's MaxiiCopper™ Vi2400WP Ethernet over Coax Network extender brings new performance standards to the growing need for high speed transmission of full bandwidth Ethernet and PoE over extended distances of coaxial cables. The IP67 rated housing protects performance under harse weather conditions and up to 3 feet (1m) of water. Developed as a complete product the Vi2400W simplifies installation and lowers cost by eliminating the need for extra cost housings. Its unique Symmetric Bandwidth (SBW™) assures full bandwidth transmission is maintained over the entire operational distance for both uploads and downloads with Virtual Zero Packet Loss (VZPL™). Bandwidth assurance provides the ability to transmit multiple cameras on single camera runs with no information loss.

Pass Through PoE (PTP™) eliminates the need for additional remote site power while allowing a single PoE source, such as a PoE network switch, to provide power to both transceivers and the camera. This feature eliminates the need for local and remote site power supplies. Type tested under NEMA-TS2 environmental standards for extended temperature operations between -40°C to +75°C, the Vi2400WP is the perfect solution for extended distance data and power transmission for warehouses, parking lots, campuses, casinos, and many more. MaxiiCopper's™ Vi2400WP is low power and easily fits inside most cameras housing and junction boxes. Best of all, the Vi2400WP is MegaPixel Certified (MPC™), type tested to network packet performance standards, and major manufacturer compatibility tested to assure you error free and reliable operations.

Installation cost savings, proven performance, and major camera brand compatibility all go into making Vigtron's MaxiiCopper™ Vi2400WP your best choice for extended distance data and power transmission for outdoors.



The Smart Choice for Transmission Solutions

www.vigtron.com

Technical Specification*

Electrical

| | |
|---------------------|---|
| Ethernet Interface | Standard 10/100BaseT |
| Data Rate | Auto select 10/100 Mb/s Full speed / full duplex at maximum rated distance |
| Coax | 1,500 feet (454 m) at 100BaseT with PoE |
| Power Consumption | 1.8 W w/POE only |
| Connectors | Ethernet Interface: Weatherproof RJ-45 Connector Extended Interface: Weatherproof Female BNC |
| Surge Protection | 6KV |
| PoE Compatibility | IEEE 802.3af, IEEE 802.3at PoE Standards up to 36W |
| RFC | 768 UDP, 2068 HTTP, 793 TCP 791 IP, 1783 TFTP, 894 IP over Ethernet 2544 TCP/IP Packet Transmission |
| Jumbo Frame Support | Up to 9,600 bytes |

Regulatory

| | |
|---------------|---|
| FCC | Part 15, Subpart , Class B 2010 |
| Emissions | EN 5502:2006+A1:2007, EN 61000-3-2:2006+A1:2009+A2:2009 EN 61000-3-3:2008, EN 55024:1998+A1:2001+A2:2003 |
| Safety | CE |
| Environmental | RoHS, WEEE IEC 60068-252 Salt Laden |

Environmental

| | |
|-------------|--|
| Humidity | 0 to 95%, non-condensing |
| Temperature | Operating: -40°C to +75°C** Storage: -40°C to +85°C |

Mechanical

| | |
|------------|--|
| Dimensions | 1.81x7.59x1.57 in., 4.59x19.3x4.0 cm (HxWxL) |
| Weight | 0.56lb (254g) |
| Material | Extruded Aluminum |

* Specifications subject to change without notice.

**Vigtron "W" are designed as self contained to comply with specific environmental standard. Operating in conditions other than free air with proper ventilation will affect performance and may void warranty.

Ordering Information

Part No. Description

| | |
|-----------------|---|
| Vi2400WP | Single port IP67 Coax Ethernet Extender |
|-----------------|---|

Related Products

Part No. Description

| | |
|----------------|---|
| Vi2400A | Single port mini Coax Ethernet Extender |
| Vi2401A | Single port Mini Coax Ethernet Extender |
| Vi2404A | 4-port Coax Ethernet Extender |
| Vi2408A | 8-port Coax Ethernet Extender |
| Vi2416A | 16-port Coax Ethernet Extender |
| Vi2601 | Single port Extended Coax Midspan |
| Vi2608 | 8-port Extended Coax Midspan |
| Vi2616 | 16-port Extended Coax Midspan |

Data and PoE Distance

| Data Rate | Distance ¹ (without POE) | Distance ² (with POE) |
|-----------|--|-------------------------------------|
| 10BaseT | 5,000 ft. (1,515m) | 3,000 ft. (914m) |
| 100BaseT | 1,800 ft. (546m) | 1,800 ft. (546m) |

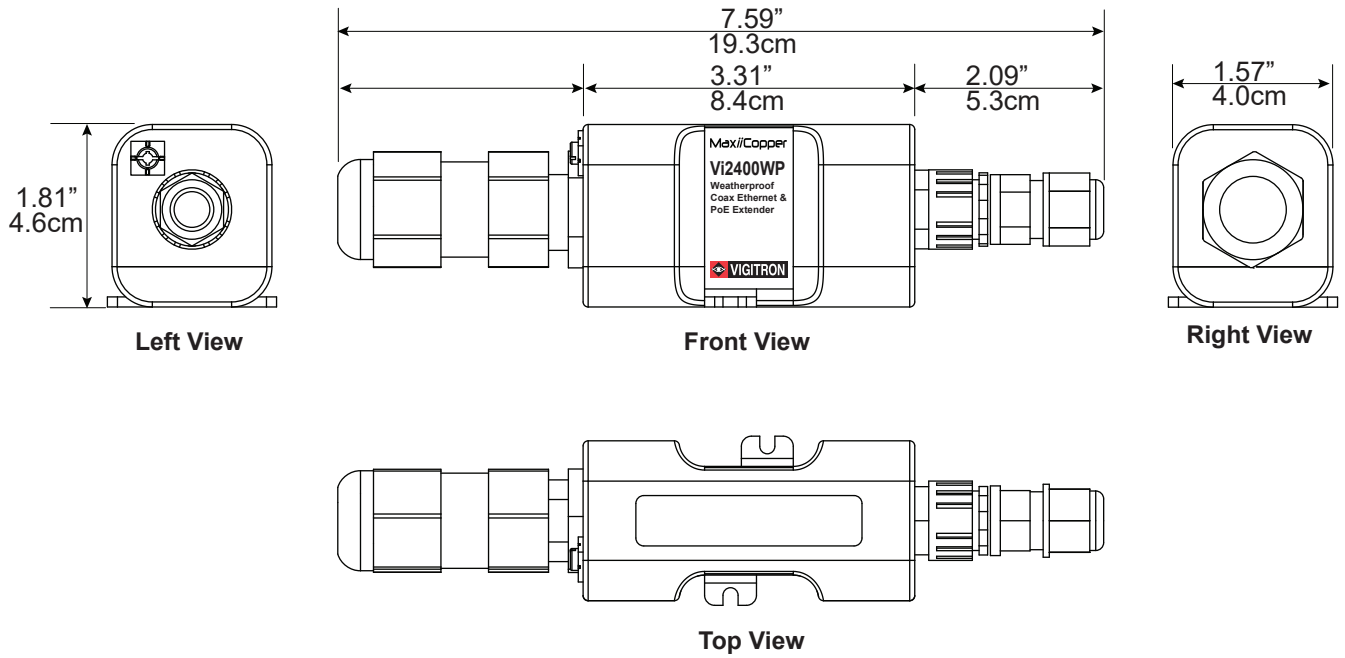
1. Distance figures are obtained using in house testing mirroring installations. Factors such as cabling, connections, use of power and environmental conditions may affect actual distances and should be taken into consideration.

2. Distance figures are based on RG59U Coax cable and external power supply for extender and camera.

Specifications reflect operating using Pass Through PoE (PTP™) providing power for both transceivers and camera from a single source. Distances may increase if transceivers are locally powered.



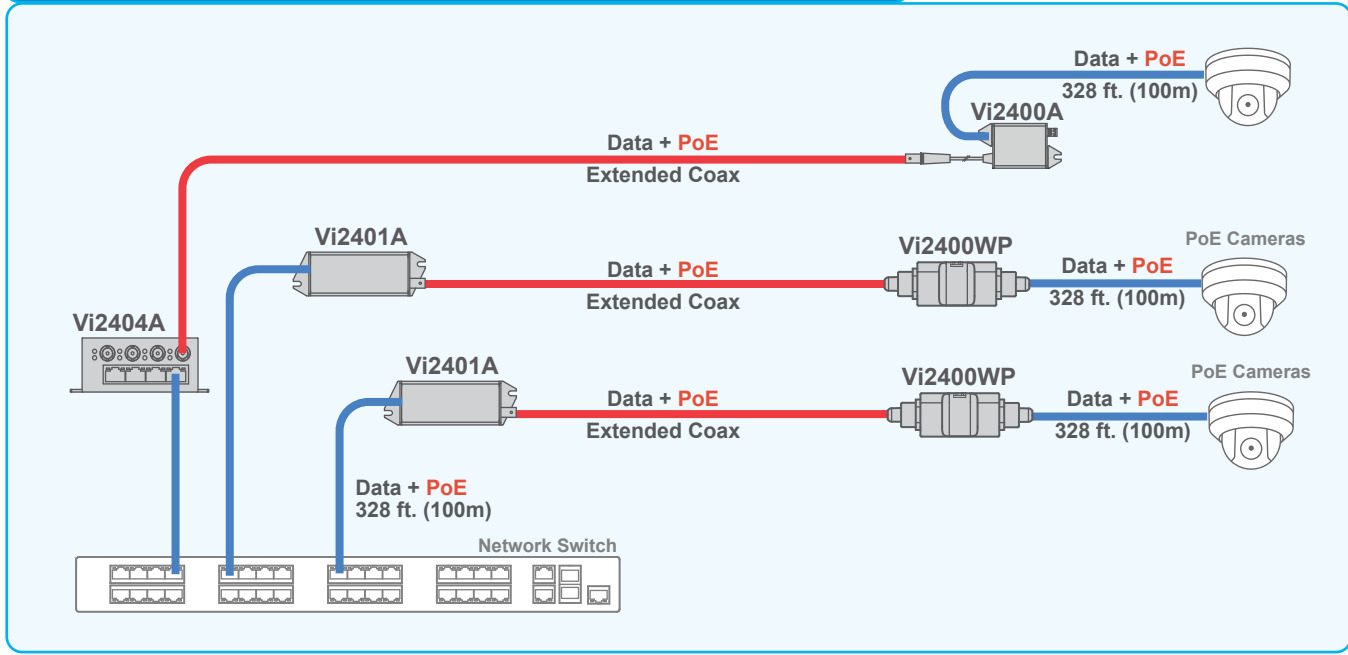
Mechanical Drawings



Application Drawings



Transmitting Ethernet and PoE over Extended Coax Cables



The Vi2301As and Vi3005 can be used to connect multiple PoE cameras at extended distances.



TEL (+1) 858-484-5209 • FAX (+1) 858-484-1205
7810 Trade Street, Suite 100, San Diego, CA 92121, USA • support@vigatron.com • www.vigatron.com