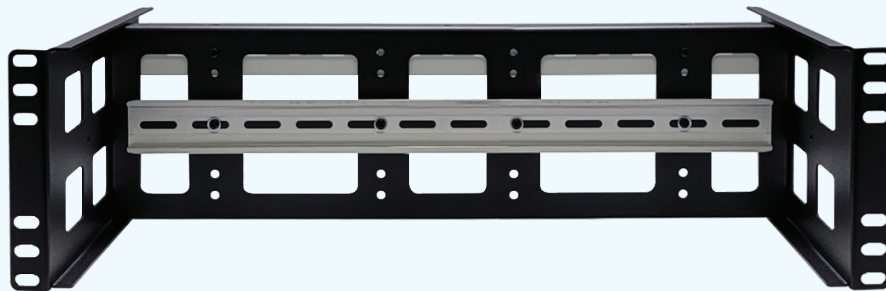


Multiple DIN Rail devices mounted on 19" Rack

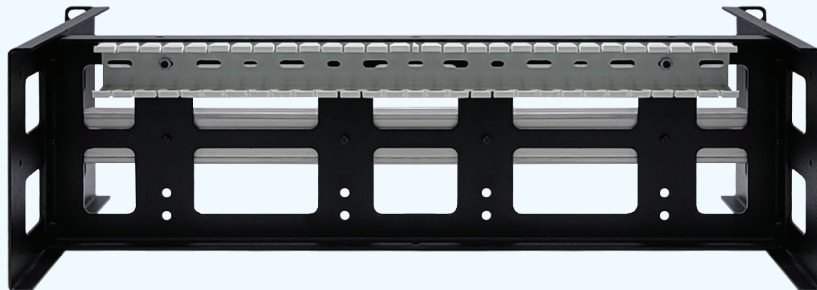


Multiple DIN Rail can be mounted on the Vi00113.

Mounting Cable ducts



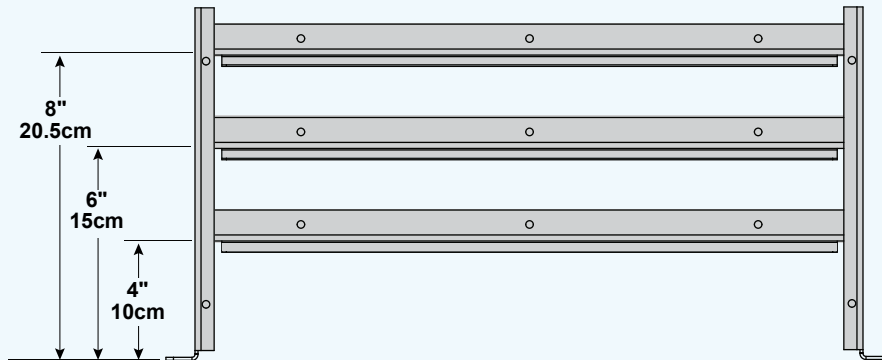
Front View



Rear View

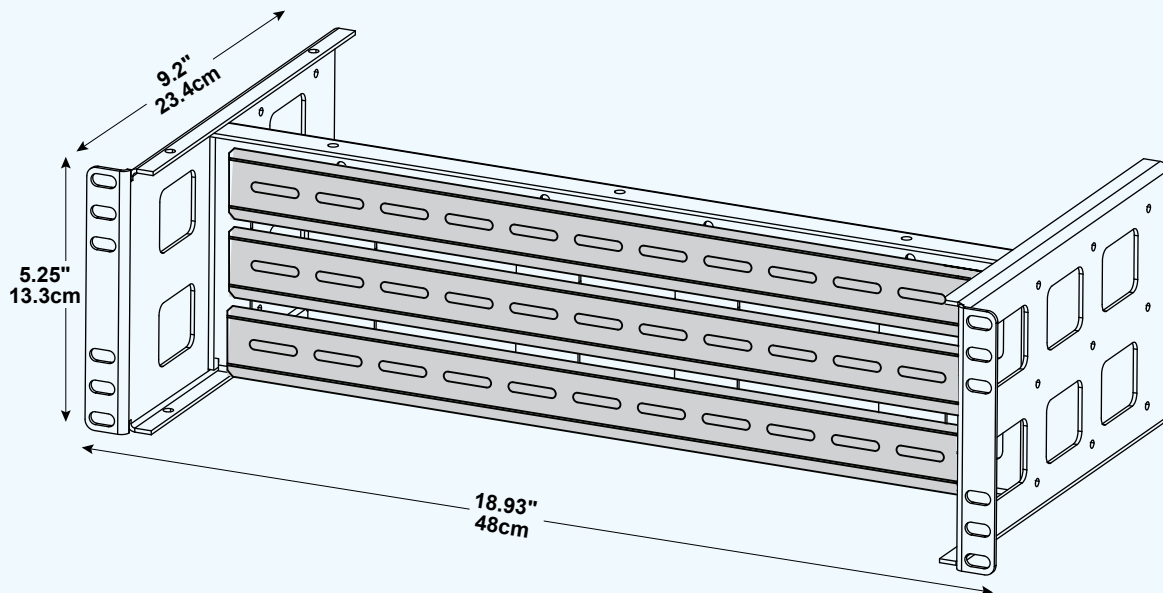
The Cable Duct can be installed on the top or bottom row on either side of the back panel of Vi00113.

Adjustable Depth



The back panel can be mounted at 3 different position to provide the desired depth.

Adjustable DIN Rail Mounting



The DIN Rail can be mounted at 3 different height.