

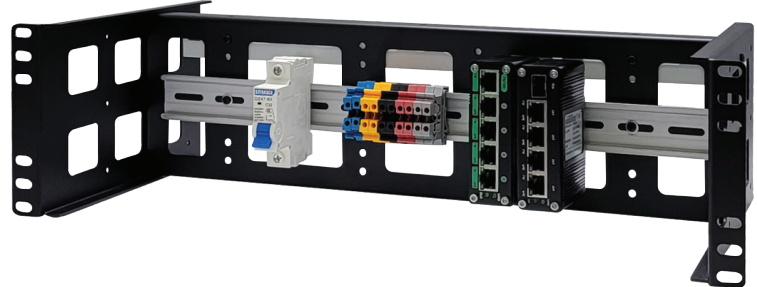
Vi00113

Preliminary

3U Universal DIN Rail Rackmount Adapter for 19" Racks

Features

- 3U Universal DIN Rail Rackmount Adapter
- Confirms to EN500222 and EIA-301 standard
- Easy installation of Wire Ducts
- Constructed with heavy gauge steel sheet metal
- Adjustable to 3 different depths
- The slotted DIN Rail can be mounted at 3 levels.
- Excellent airflow for optimal device performance
- Lifetim Warranty + 3 years



Applications

- Industrial Control Panels (ICP)
- Network rack systems with power supplies, switches
- Data centers
- CCTV system for casinos, airports, and many more

The Vigitron Vi00113 is a highly flexible, 5U Adjustable rackmount adapter. It is used to mount DIN Rail devices on on EIA industrial standard 19" 2-post relay racks or 4-post EIA-301 rackmount cabinets.

Its key features are:

- **Universal Compatibility:** Works with most industrial devices using DIN Rail mounting (network switches, power supplies, etc.).
- **Simplified Installation:** Eliminates the need for custom brackets, saving time and cost for small-scale projects.
- **Adjustable Depth:** Accommodates various DIN Rail device sizes with three depth settings.
- **Flexible DIN Rail Placement:** Mount the slotted DIN Rail at three different levels for optimal positioning.
- **Improved Airflow:** Ensures proper ventilation for your equipment.
- **Easy Wiring:** Large access holes on all sides enable effortless cable management.
- **Durable Construction:** Built from heavy-gauge steel sheet metal for lasting reliability.

The Vigitron Vi00113 can be used as a standalone unit for smaller systems or integrated into larger rack configurations. It enables easy wire duct mounting and cable routing between the front and back panels.

Its key benefits are:

- **Streamlined Integration:** Effortlessly integrate DIN Rail devices into your existing rack system.
- **Cost-Effective Solution:** Eliminates the need for expensive custom brackets.
- **Enhanced Organization:** Provides a neat and organized way to house your DIN Rail equipment.
- **Improved Accessibility:** Easy access to cables and devices for maintenance and troubleshooting.

The Vi00113 is an ideal solution for streamlining your DIN Rail device integration.

Technical Specification*

Mechanical

Bracket size	5.3x18.9x9.2 in, 13.3x48x23.4cm (HxWxL)
Bracket Height	3U
DIN Rail Standard	Top Hat, EN 500222 and IEC 60715
DIN Rail Size	1.5 x 15.7 in, 3.7 x 40cm (WxL)
Support Rack	19", EIA-310-D, (IEC) Standard 60297
PVC Wire duct	1.57x1.18x15.4 in, 4x3x39 cm (HxWxL)
Max Load	100 LB Max.
Depth	8 in (20.5 cm), 6 in (15 cm), 4 in (10 cm), Adjustable
Din Rail height	Center, + 1.4 in (3.6 cm), -1.4 in (3.6 cm), Adjustable
Weight	3.7lb (1.7Kg)
Material	12 Gauge steel Sheet Metal
Finish	Black Powder Paint

Regulatory

Safety	CE-EMC, Compliance with Directive 2014/30/EU
Environmental	RoHS, Directive 2011/65/EU Annex(EU) 2015/863 and amending Annex WEEE

Accessories

- Open Slot Wiring Raceway Cable Duct: (1) 15.4in x1.18in x1.57in
- DIN Rail: (1) 16 in, 35 mm wide, top-hat rail
- Mounting Kit: (8) #10-32 Rack Screws, (8) M4 screws

*Specifications subject to change without notice.

Ordering Information

Part No.	Description
Vi00113	19" Adjustable 3U Rackmount DIN-Rail Bracket

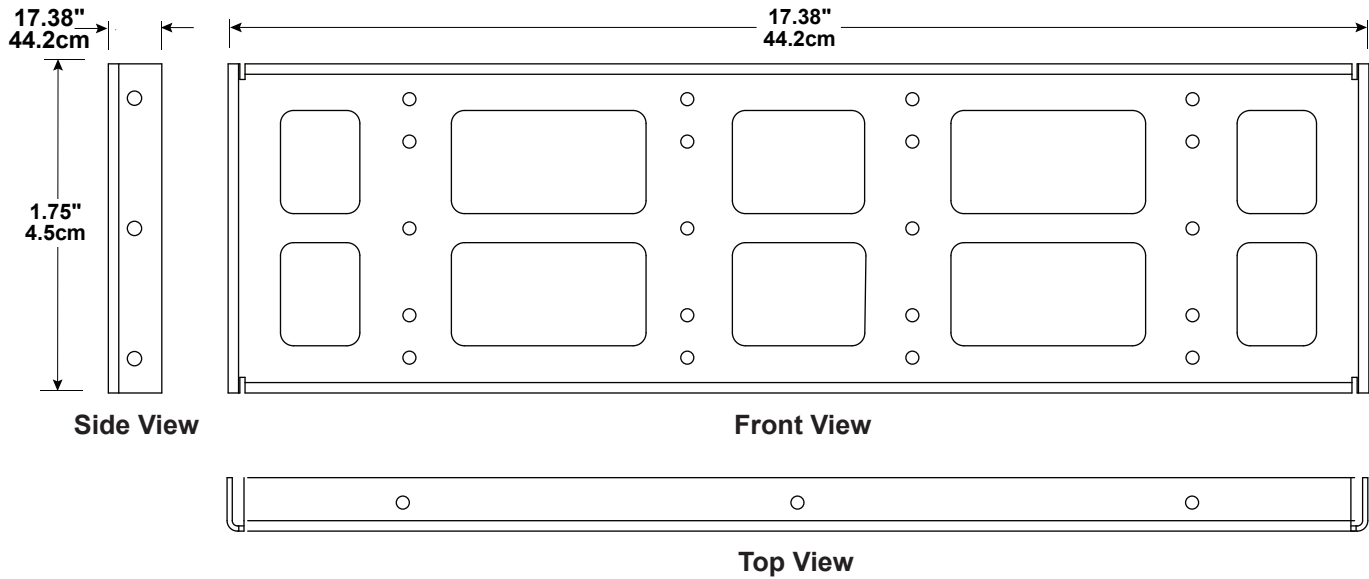
Related Products

Part No.	Description
Vi00115	19" Adjustable 5U Rackmount DIN-Rail Bracket

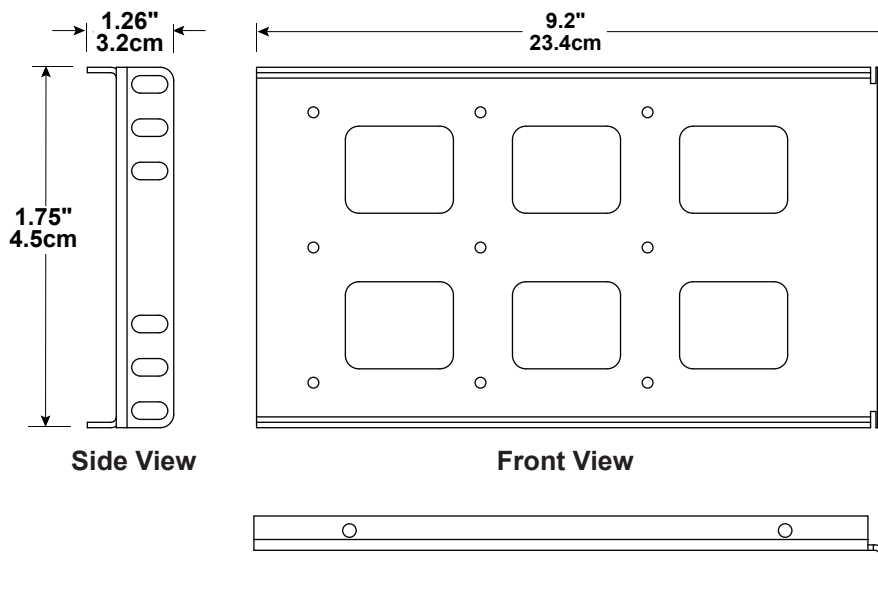


Mechanical Drawings

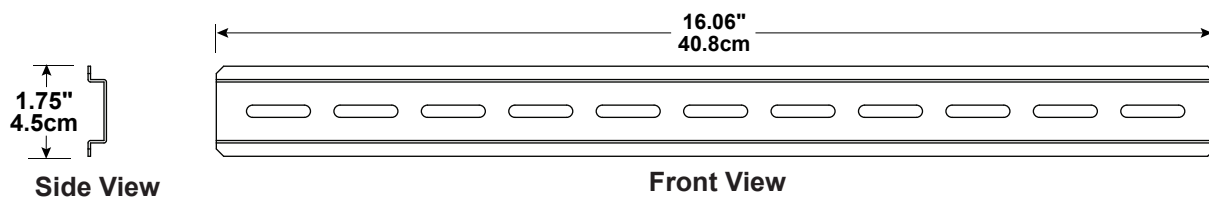
Back Panel



Side Panel



DIN Rail



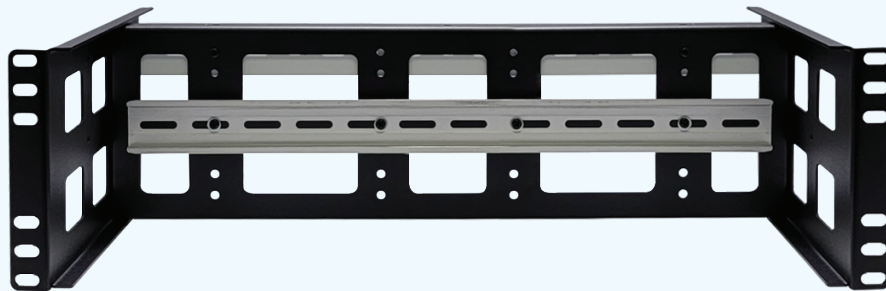
Application Drawings

Multiple DIN Rail devices mounted on 19" Rack

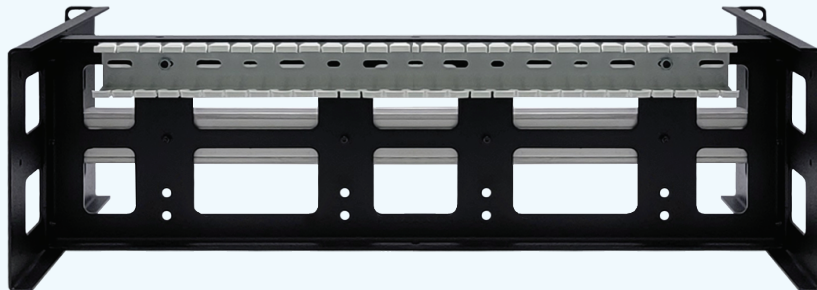


Multiple DIN Rail can be mounted on the Vi00113.

Mounting Cable ducts



Front View

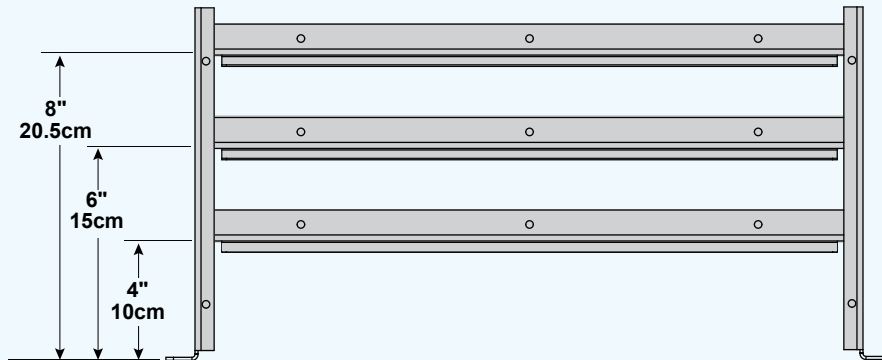


Rear View

The Cable Duct can be installed on the top or bottom row on either side of the back panel of Vi00113.

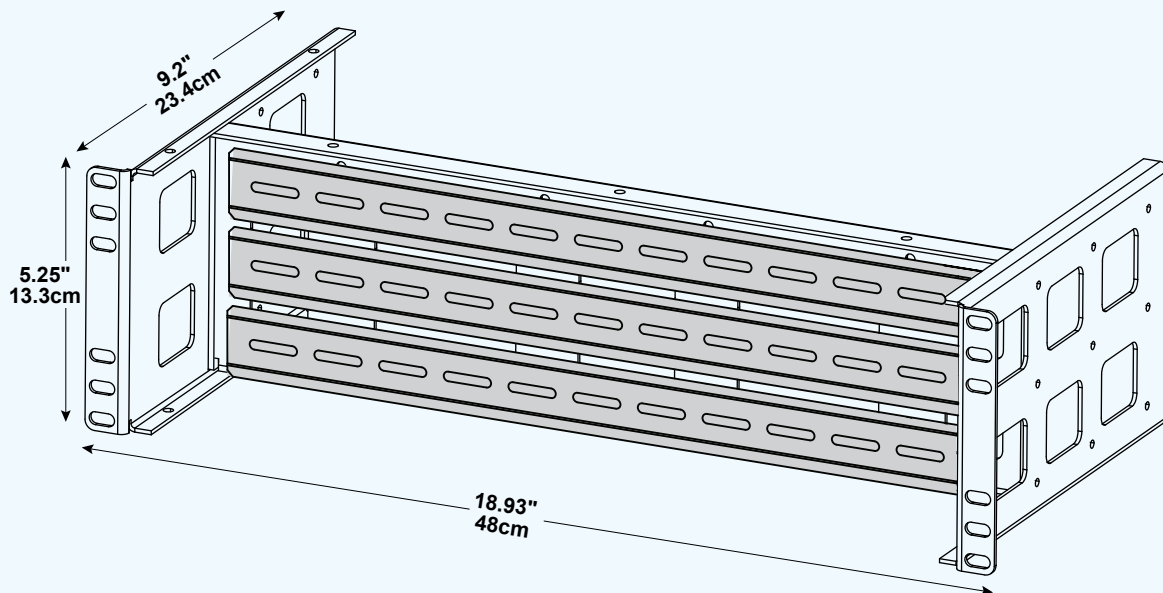
Application Drawings

Adjustable Depth



The back panel can be mounted at 3 different position to provide the desired depth.

Adjustable DIN Rail Mounting



The DIN Rail can be mounted at 3 different height.