

Vi30104U

4-Port Layer 2, 1G PoE Switch

Preliminary

Features

- 4-port layer 2 network switch media converter
- 2 1G MSA compliant SFP fiber ports and 2 1G copper ports and
- Provides 802.3af,at,bt PoE up to 90W on 2 ports.
- Supports Jumbo Frames transmission up to 10K bytes
- Intelligent power sensing automatically allocates port power based on the number of connected ports and individual camera power requirements
- Automatic PoE port priority allocation
- Over current shutdown protection if allocated PoE budget exceeds
- Certified (MPC™) high data rate for virtual loss free transmission of cameras
- Type tested to RFC 2544 TCP/IP network bandwidth packet transmission standards
- Type tested for -30°C to +70°C operating temperature range
- Complies with major IEEE standards and RFC network protocols for UTP, TCP/IP, HTTP/HTTPS



Applications

- Cost effectively expanding networks by mixing fiber and copper wire runs
- CCTV system for casinos, airports, school campuses, and many more
- Perfect solution for multi-Sensor cameras requiring high bandwidth and high power
- Cost effective solution for multiple cameras transmission

The Vigitron MaxiiNet™ Vi30104U is a high-performance, fixed L2 managed 4-port 1000Mbps PoE switch, designed to meet the increasing demand for seamless, high-speed Ethernet transmission. The Vi30104U supports External DC power sources, delivering up to 90W of PoE per port to power PoE devices. It integrates two MSA compliant SFP fiber uplink ports for distances up to 80 km as well as two 1G copper ports.

It is housed in a compact and robust design with flexible DIN Rail, Desktop, and wall mount capability. With its ability to operate in temperatures ranging from -40°C to 70°C, the Vi30104U performs reliably in extreme conditions.

The Vi30104U includes fixed managed Layer 2 functions such as 802.1p QoS, support for 2K MAC addressing, learning and aging capabilities, and a non-blocking switch fabric to maintain efficient and reliable data transmission.

The Vi30104U is MegaPixel Certified (MPC™) and has been rigorously tested for compatibility with major camera manufacturers and network packet performance standards, ensuring high-quality, error-free operations.

The Vi30104U reduces installation costs while delivering reliable performance. Its advanced features and robust design make it the best choice for network security and industrial applications requiring dependable data and power solutions.

Technical Specification*

Electrical

Data Interface	Fiber MSA Ports: 1000Mbps Fixed Copper Ports: 10/100/1000Mbps Auto sensing
Power Source	52-57VDC, 200W Max,
Status LEDs	Power: Green Fiber Ports: Green, link/Activity Copper Ports: Yellow, Link/Activity Green, PoE
Connectors	Fiber (x2): MSA compliant SFP socket Ethernet (x2): RJ45 connector Power: 2 -pin Pluggable Terminal block
PoE Standards	IEEE 802.3af, IEEE 802.3at, IEEE 802.3bt up to 90W
Network Switch	Fixed Layer 2
Jumbo Frames	10,000 Bytes

Regulatory

RFC	2544 TCP/IP Packet Transmission 768 UPD, 2068 HTTP, 793 TCP 791 IP, 1783 TFTP, 894 IP over Ethernet
Emission	EN 5502:2006+A1:2007 EN 61000-3-2:2006+A1:2009_A2:2009 EN 50024:1998+A1:2001+A2:2003
Safety	CE
Environmental	RoHS, WEEE

Environmental

Humidity	0 to 95%, non-condensing
Temperature	Operating: -30°C to +70°C Storage: -30°C to +85°C

Mechanical

Dimensions	1.8 x 2.86 x 3.16 in., 4.6 x 7.3 x 8.0 cm (HxWxL)
Weight	0.77lb (349g)
Housing	Aluminum, DIN Rail, Wallmount, Deskmount

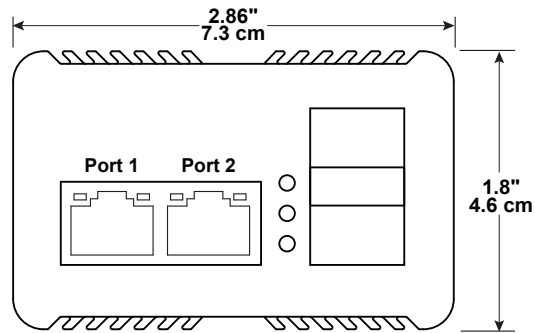
*Specifications subject to change without notice.

Ordering Information

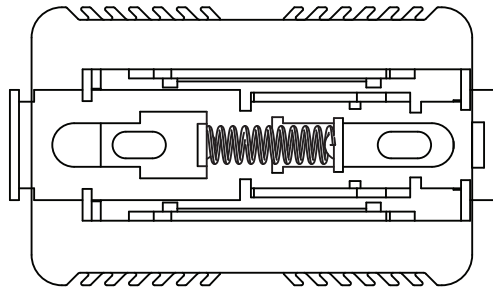
Part No.	Description
Vi30104U	4-Port Layer 2 PoE Switch



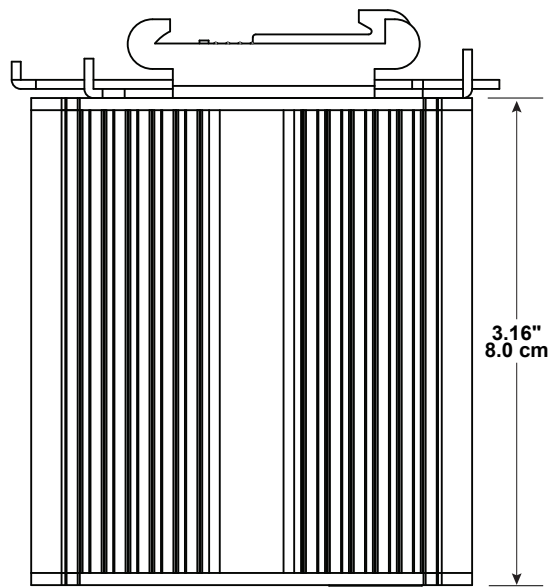
Mechanical Drawings



Front View



Rear View

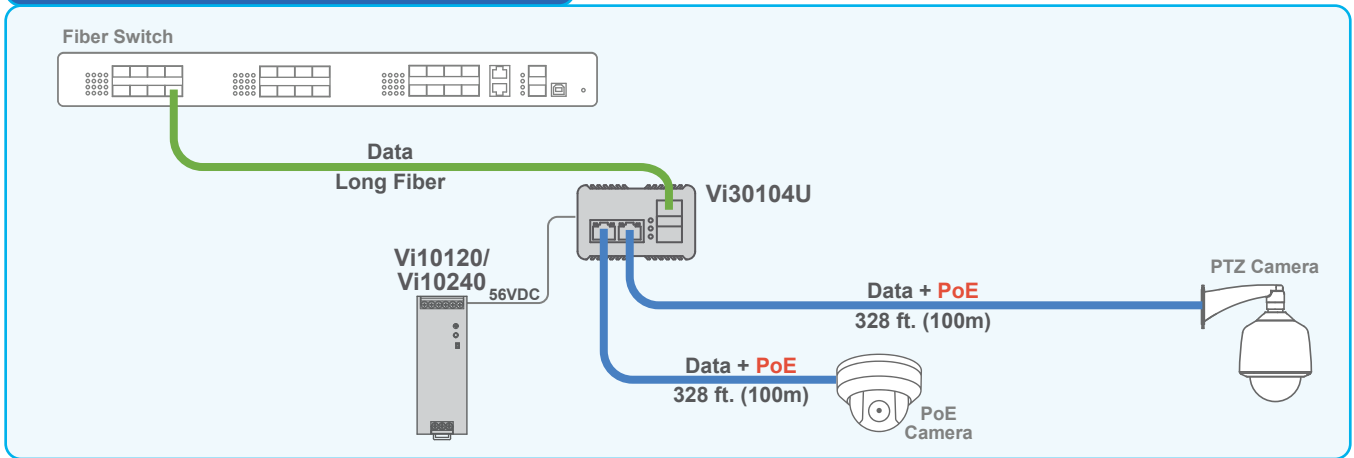


Side View

Application Drawings

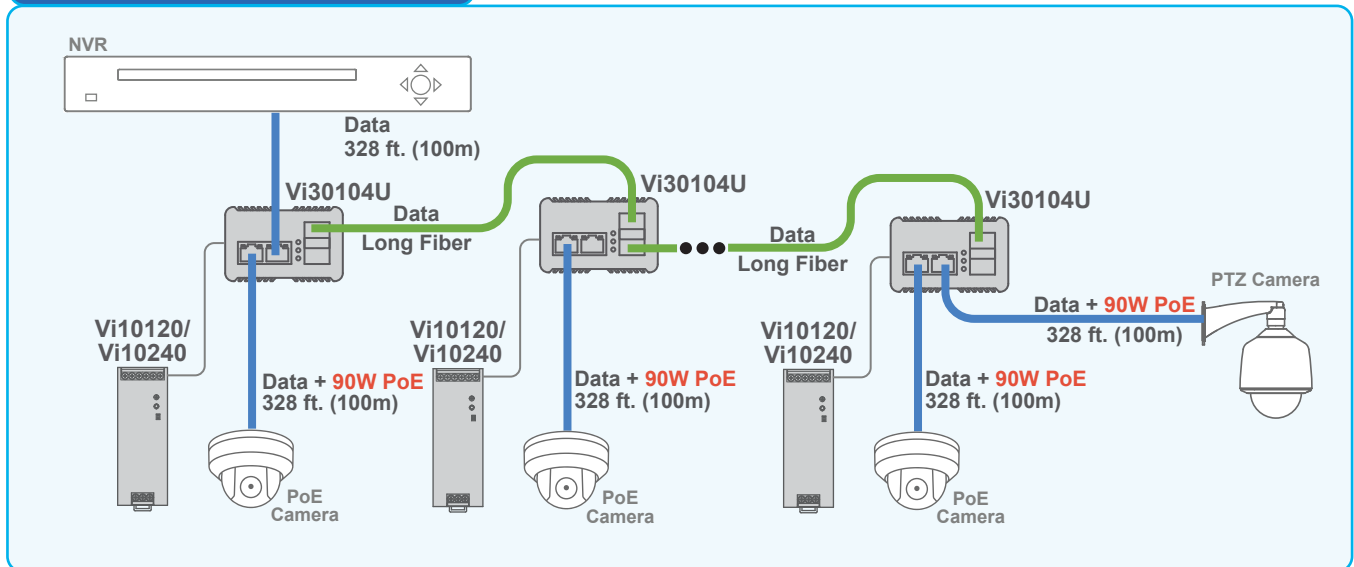
— Cat 5/6
— Fiber Optics

Providing PoE to 2 remote cameras



Vi30104U allows for the transmission of two cameras over a single Fiber cable or adding a new camera close to an existing camera.

Drop and Insert Application



Multiple Vi30104Us can be cascaded over a single cable run eliminating the need for network switches.

