



The Vigtron MaxiiNet™ Vi30104U is a high-performance, fixed L2 managed 4-port 1000Mbps PoE switch, designed to meet the increasing demand for seamless, high-speed Ethernet transmission. The Vi30104U can deliver up to 90W of PoE per port to power PoE devices. It integrates two MSA compliant SFP fiber uplink ports for distances up to 80 km as well as two 1G copper ports.

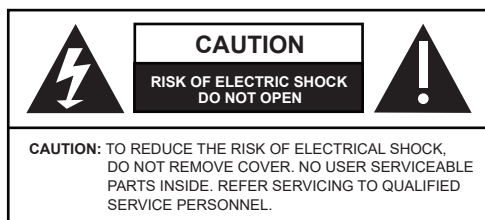
It is housed in a compact and robust design with flexible DIN Rail, Desktop, and wall mount capability. With its ability to operate in temperatures ranging from -40°C to 70°C, the Vi30104U performs reliably in extreme conditions.

It includes fixed managed Layer 2 functions such as 802.1p QoS, support for 2K MAC addressing, learning and aging capabilities, and a non-blocking switch fabric to maintain efficient and reliable data transmission.

The Vi30104U reduces installation costs while delivering reliable performance. Its advanced features and robust design make it the best choice for network security and industrial applications requiring dependable data and power solutions.

Important Safety Warning

- Read these instructions.
- Keep these instructions.
- Heed all warnings.
- Follow all instructions.
- Do not use this apparatus near water.
- Clean only with a dry cloth.
- Install in accordance with the manufacturer's instructions.
- This installation should be made by a qualified service person and should conform to all local codes.
- DO NOT bundle UTP or coax signals in the same conduit as high-voltage wiring.
- To reduce the risk of fire or electrical shock, do not expose these products to rain, moisture, dripping or splashing.
- No objects filled with liquids, such as vases, shall be placed on Vigtron equipment.
- DO NOT install the unit in a place where the operating ambient temperature exceeds 70°C.
- Make sure that the external power supply output voltage is in the recommended range.
- Do not install near any heat sources such as radiators, heat registers, stoves or other apparatus that produce heat.
- Protect the power cord from being walked on or pinched particularly at plugs, convenience receptacles, and the point where they exit from the apparatus.
- Only use attachments/accessories specified by the manufacturer.
- Unplug this apparatus during lightning storms or when unused for long periods of time.
- Refer all servicing to qualified service personnel. Servicing is required when the apparatus has been damaged in any way, such as liquid has been spilled, or objects have fallen into the apparatus, the apparatus has been exposed to rain or moisture, does not operate normally, or has been dropped.
- The power plug and the PoE input cable are used as the disconnect device and shall remain readily operable.



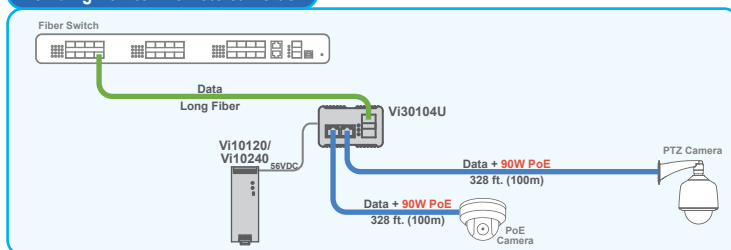
WARNING! - To reduce the risk of fire or electric shock, do not expose this apparatus to rain or moisture. This apparatus shall not be exposed to dripping or splashing and no objects filled with liquids, such as vases shall be placed on the apparatus.

WARNING! - This apparatus is a Class I product. This product must be connected to a main socket outlet through an AC to DC Power supply.

WARNING! - The main plug is used as the disconnect device and shall remain readily operable.

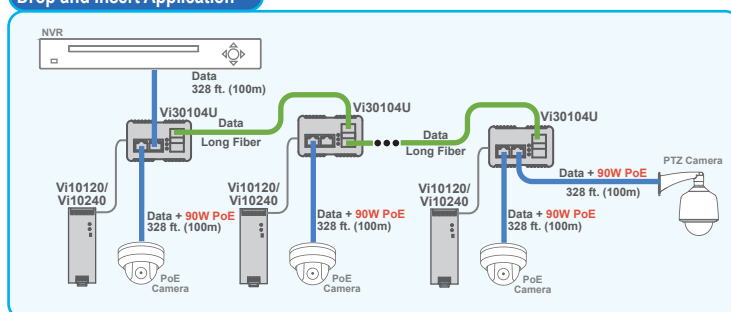
Application Drawings

Providing PoE to 2 remote cameras



Vi30104U allows for the transmission of two cameras over a single Fiber cable or adding a new camera close to an existing camera.

Drop and Insert Application



Multiple Vi30104Us can be cascaded over a single cable run eliminating the need for network switches.

Installation

Powering with External Power Supply:

- Select a 52-57VDC approved power supply with enough power for your application.
- Connect the power supply to the input power terminal block by following marked polarity.

You can use either the UTP or Fiber uplinks.

Fiber Uplink:

- Plug in the SFP to the SFP socket of Vi30104U.
- Connect the fiber cable to the SFP.

Note: The SFP must be the same types at both ends of the fiber cable and must match the fiber cable requirements.

Copper Data/Uplink Ports:

- Plug in the IP/PoE devices to the two ports on the Vi30104U's front panel. Each port will be able to provide up to 90W PoE.

PoE Power is allocated based on the required port power up to 90W starting with Port 1 having the highest priority. Once the total sum of the PoE power is allocated no more power will be available to remaining ports.

Electrical

Data Interface	Fiber MSA Ports: 1000Mbps Fixed Copper Ports: 100/1000Mbps Auto sensing
Power Source	52-57VDC, 200W Max,
Status LEDs	Power: Green Fiber Ports: Green, link/Activity Copper Ports: Yellow, Link/Activity Green, PoE
Connectors	Fiber (x2): MSA compliant SFP socket Ethernet (x2): RJ45 connector Power: 2-pin Pluggable Terminal block
PoE Standards	IEEE 802.3af, IEEE 802.3at, IEEE 802.3bt up to 90W
Network Switch	Fixed Layer 2
Jumbo Frames	10,000 Bytes

Regulatory

RFC	2544 TCP/IP Packet Transmission 768 UPD, 2068 HTTP, 793 TCP 791 IP, 1783 TFTP, 894 IP over Ethernet
Emission	EN 5502:2006+A1:2007 EN 61000-3-2:2006+A1:2009_A2:2009 EN 50024:1998+A1:2001+A2:2003
Safety	CE
Environmental	RoHS, WEEE

Environmental

Humidity	0 to 95%, non-condensing
Temperature	Operating: -40°C to +70°C Storage: -40°C to +85°C

Mechanical

Dimensions	1.8 x 2.86 x 3.16 in., 4.6 x 7.3 x 8.0 cm (HxWxL)
Weight	0.77lb (349g)
Housing	Aluminum, DIN Rail, Wallmount, Deskmount

*Specifications subject to change without notice.

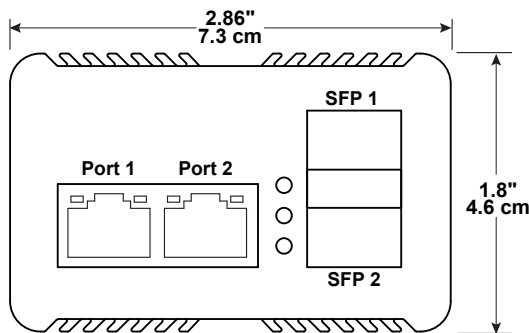
Part No.	Description
Vi30104U	4-Port Layer 2 PoE Switch

Limited Lifetime Warranty

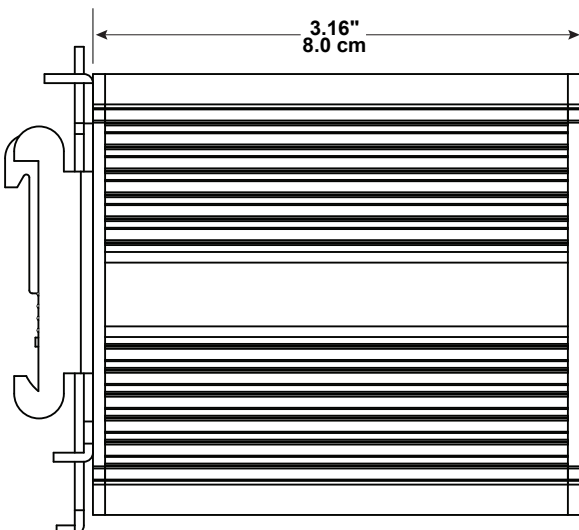
Vigotron, Inc. warrants that all Vigotron products ("Product"), if used in accordance with these instructions, will be free of defects in material and workmanship for lifetime defined as the duration period of time until product end of life is announced. After which, Vigotron will continue to provide warranty services for a period of 3 years. Period covering valid warranty will be determined by proof of purchase in the form of an invoice from an authorized Vigotron dealer.

Warranty will only be provided for as long as the original end user purchaser owns the product. Warranty is not transferrable. At Vigotron's option, defective product will be repaired, replaced or substituted with a product of equal value. This warranty does not apply if, in the judgment of Vigotron, Inc., the Product fails due to damage from shipment, handling, storage, accident, abuse or misuse, or if it has been used or maintained not conforming to Product manual instructions, has been modified, or serial number removed or defaced. Repair by anyone other than Vigotron, Inc. or an approved agent will void this warranty. Vigotron, Inc. shall not under any circumstances be liable to any person for any incidental, indirect or consequential damages, including damages resulting from use or malfunction of the product, loss of profits or revenues or costs of replacement goods. The maximum liability of Vigotron, Inc. under this warranty is limited to the original purchase price of the Product only.

Drawings



Front View



Top View