

Vi00103S

Ethernet and PoE STP Port Multiplexer

Features

- Connects two IP/PoE devices to a PoE switch using a single shielded Cat5/6 cable
- Provides up to 37W to each of 2 remote devices
- Reduces installation costs and time
- Indicates PoE presence at Camera side (TX module)
- Compatible with IEEE 802.3af and IEEE 802.3at
- No power source required
- Low cost and easy to use
- Patented design



Applications

- Adding a new IP camera to an existing installation without extra wiring
- Home security and communication applications
- Cost-effective solution for powering two IP devices using a single cable

The NetMux™ Vi00103S is a high-performance, port multiplexer designed to simplify and optimize your IP/PoE installations. It enables two IP/PoE devices, such as IP cameras, to share a single shielded Cat5/6 cable, significantly reducing installation complexity and costs.

This innovative solution includes the Vi00103SRX, a port combiner, and the Vi00103STX, a port splitter. The Vi00103SRX combines two IP/PoE streams and transmits them through one Cat5/6 cable, while the Vi00103STX separates the combined signal and connects it to two IP/PoE device ports seamlessly.

With its durable weatherproof design, the Vi00103S is perfect for outdoor installations, eliminating the need for additional environmental enclosures. It supports PoE power up to 37W per connected device and is compatible with IEEE 802.3af, IEEE 802.3at, and most non-standard PoE systems. Designed for 10/100 BASE-T environments, the Vi00103S offers compact and reliable performance, making it easy to install and deploy.

The patented NetMux™ technology ensures efficient performance and reliability. It is the ultimate solution for expanding your IP/PoE network or upgrading existing installations without additional cabling costs. It is perfect for connecting PoE cameras, access control systems, and other IP/PoE devices.

Technical Specification*

Electrical

Ethernet Interface	10BASE-T and 100BASE-T
Power Source	No external power source needed
Connections	Vi00103SRX: 2xShielded Male RJ45, 1xShielded Female RJ45 Vi00103STX: 3xShielded Female RJ45
Status LEDs	Vi00103SRX: N/A Vi00103STX: Port 1 PoE Output: Green LED Port 2 PoE Output: Green LED
PoE Compatibility	IEEE802.3af/at maximum 37W per port

Regulatory

Safety	CE, FCC
Environmental	RoHS, WEEE

Environmental

Humidity	0 to 95%, non-condensing
Temperature	Operating: -40°C to +75° C Storage: -40°C to +80°C

Mechanical

Dimensions	Vi00103SRX: 0.93x0.94x2 in, 2.3x2.39x5 cm (HxWxL) w/ two 10 inches (25 cm) pigtail shielded Cat6
Cables	Vi00103STX: 0.83x1.4x1.44 in, 2.11x3.56x3.66 cm (HxWxL)
Weight	Vi00103SRX: 0.086 lb (39 g) Vi00103STX: 0.057 lb (26 g)
Housing	ABS plastic, UL rating of 94V-0

*Specifications subject to change without notice.

Ordering Information

Part No.	Description
Vi00103S	Ethernet and PoE UTP Port Multiplexer
Vi00103	Ethernet and PoE STP Port Multiplexer
Vi00103W	Weatherproof Ethernet and PoE UTP Port Mux

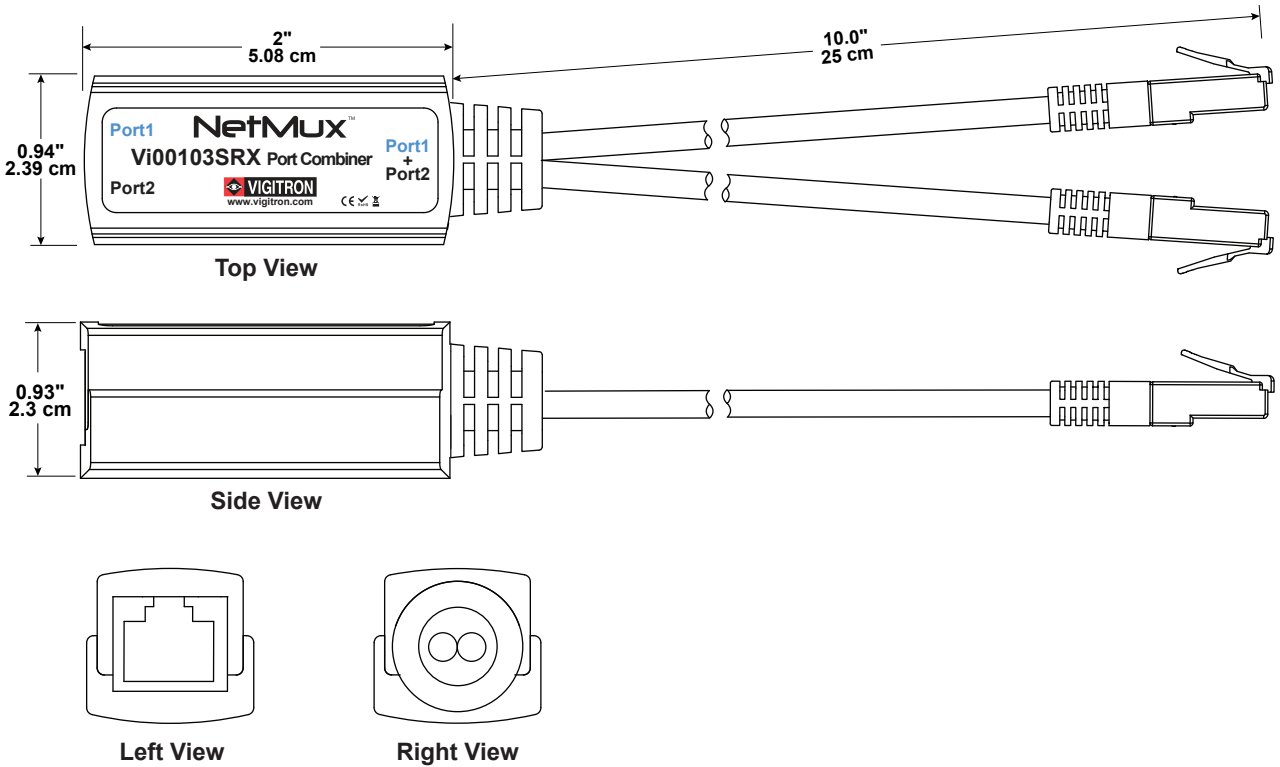
Important Note:

- The Vi00103W is designed to transmit two 10/100 Ethernet ports over a single Cat5/5E/Cat6 shielded cable. If a connected port operates at 1000BaseT and does not automatically downgrade to 100Mbps, that port will fail to establish a connection. In this case, the user must manually log into the 1G switch and force the port speed to 100Mbps.
- The Vi00103W requires a suitable PoE source, based on the power requirements of the connected devices. Ensure that your PoE source can supply sufficient power to support both ports.

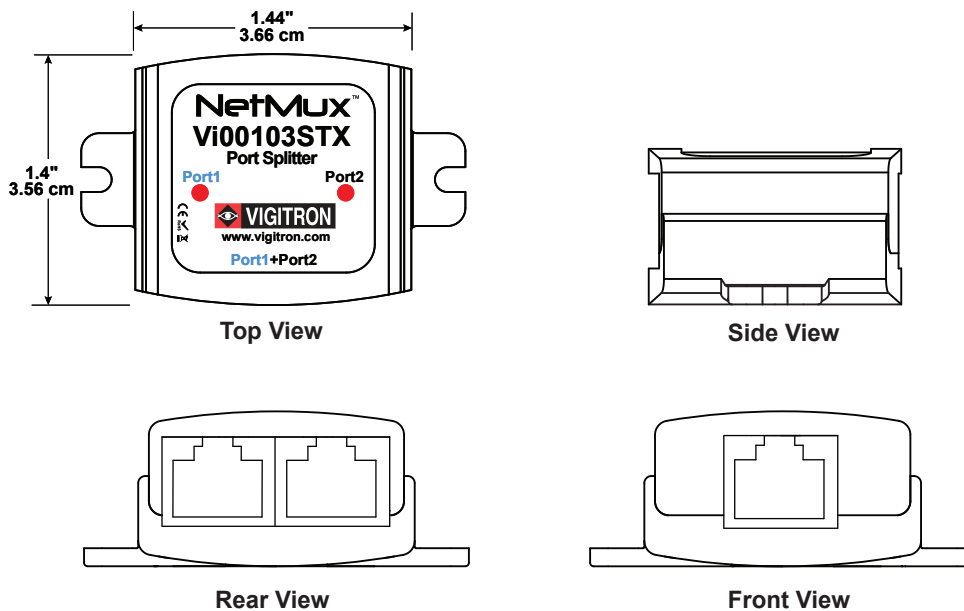


Mechanical Drawings

Vi00103SRX:



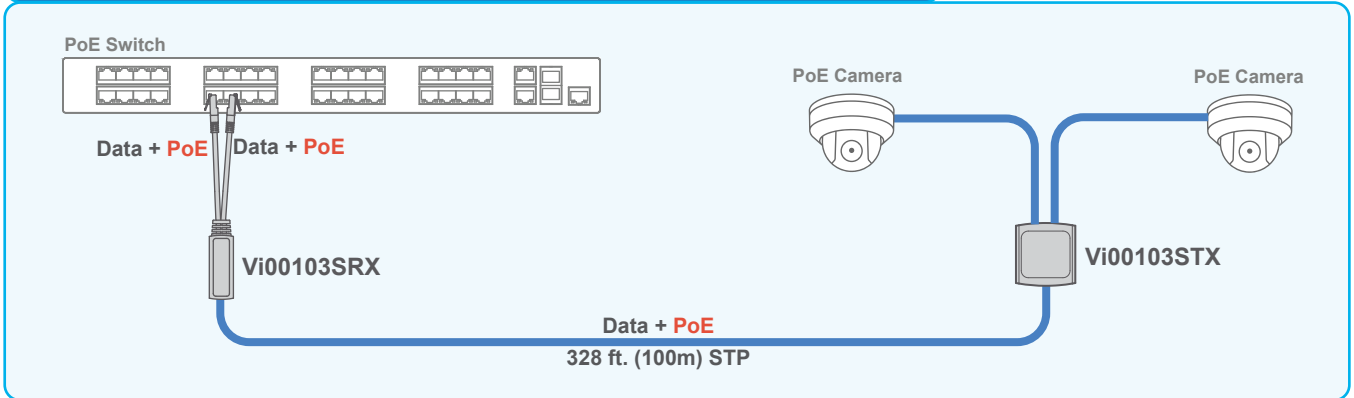
Vi00103STX:



Application Drawings

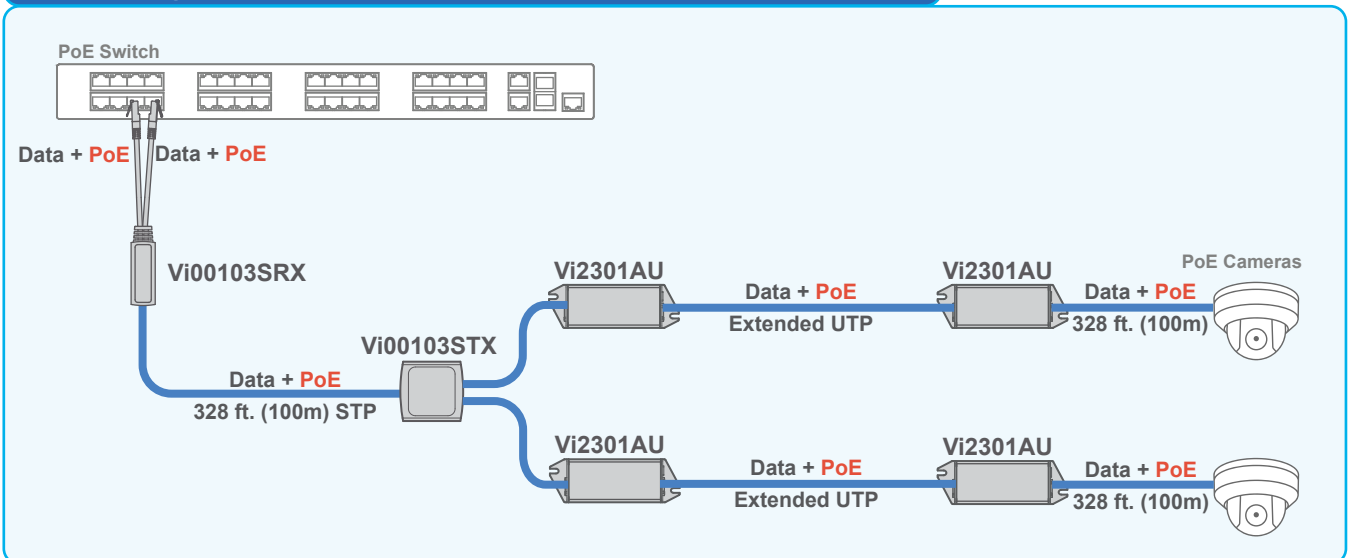
— Cat 5/6

Connecting Multiple PoE Cameras at Standard STP Distances



The NetMux™ Vi00103S can connect two cameras at standard STP distances over a single cable.

Connecting Multiple PoE Cameras at Extended STP Distances



The NetMux™ Vi00103S along with Vi2300 Extender series can connect two cameras at extended UTP

