

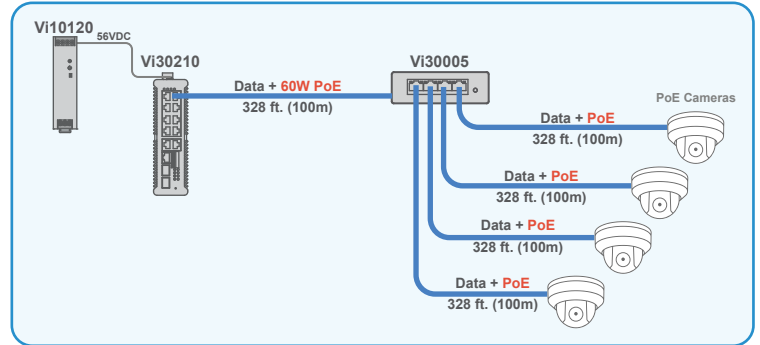
Vi10120

MaxiiPower™

MaxiiPower™ 120W Hardened DIN Rail Power Supply



Scan or Tap for More Info



Application: Powering Vigiton PoE devices such as unmanaged switches, industrial switches and any other PoE switches or midspans up to 120W. Ideal for Environmental enclosures.

- **Input Power:** Universal 85-264VAC, 92% High efficiency
- **Output Power:** 120W, voltage range of 48-56VDC/2.5A
- **Power Sharing:** Support 1+1 or N+1 redundant system
- **Protection:** provides Overload, Voltage, Temperature, and Short Circuit protection
- **Operating Temperature:** -25°C to +70°C

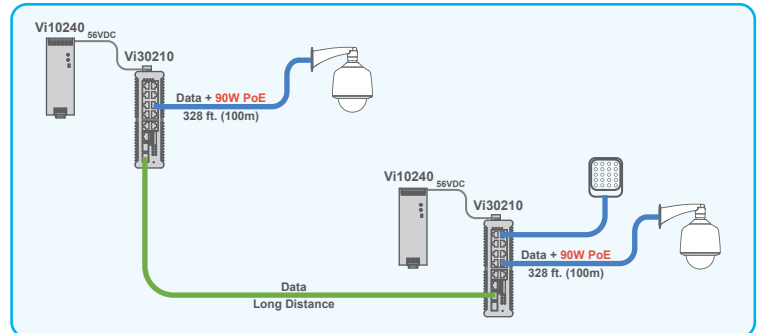
Vi10240

MaxiiPower™

MaxiiPower™ 240W Hardened DIN Rail Power Supply



Scan or Tap for More Info



Application: Powering Vigiton PoE devices such as unmanaged switches, industrial switches and any other PoE switches or midspans up to 240W. Ideal for Environmental enclosures.

- **Input Power:** Universal 85-264VAC, 92% High efficiency
- **Output Power:** 240W, voltage range of 48-56VDC/2.5A
- **Power Sharing:** Support 1+1 or N+1 redundant system
- **Protection:** provides Overload, Voltage, Temperature, and Short Circuit protection
- **Operating Temperature:** -25°C to +70°C

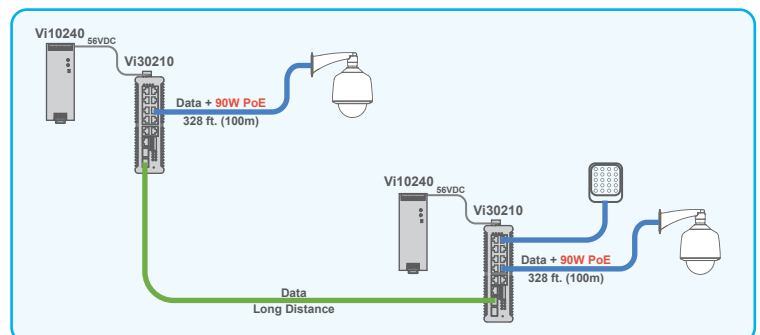
Vi10480

MaxiiPower™

MaxiiPower™ 480W Hardened DIN Rail Power Supply



Scan or Tap for More Info



Application: Powering Vigiton PoE devices such as unmanaged switches, industrial switches and any other PoE switches or midspans up to 480W. Ideal for Environmental enclosures.

- **Input Power:** Universal 85-264VAC, 92% High efficiency
- **Output Power:** 480W, voltage range of 48-56VDC/2.5A
- **Power Sharing:** Support 1+1 or N+1 redundant system
- **Protection:** provides Overload, Voltage, Temperature, and Short Circuit protection
- **Operating Temperature:** -25°C to +70°C

Power supplies for network applications fall into three categories:

- **DC Power Supplies:** Convert AC to DC and power only the connected device. Typically Wall Mount.
- **PoE-Providing DC Supplies:** Output 48-57VDC and connect to devices that supply PoE. Typically Desk Mount.
- **Special Feature Supplies:** Operate in wider temperature ranges (0°C to 40°C) and may include monitoring, notifications, and power restart. Typically DIN Rail Mount.

Vi1120

MaxiiPower™

57VDC, 120W Power Supply



Scan or Tap for More Info

- **Input Power:** 100-240VAC
- **Output Power:** 56VDC at 2.1A (120W)
- **Operating Temperature:** 0°C to 40°C (32°F to 104°F)
- **Safety Protection:** Short Circuit, Over Current, Over voltage
- **Mounting:** Wallmount
- **Efficiency:** Energy Star V certified

Application: Power source for 27001/Vi2700, Vi3005/Vi30005/Vi30104U/ Vi30105U up to 90W PoE.

Vi0017

MaxiiPower™

48VDC, 40W Power Supply



Scan or Tap for More Info

- **Input Power:** 100-240VAC
- **Output Power:** 12VDC at 0.84A (40W)
- **Operating Temperature:** -30°C to 60°C (-22°F to 140°F)
- **Safety Protection:** Short Circuit, Over Current, Over voltage
- **Mounting:** Deskmount

Application: Power source for Vi27000 / Vi2700 / Vi5000 / Vi50001

Vi0014

MaxiiPower™

12VDC, 36W Power Supply



Scan or Tap for More Info

- **Input Power:** 100-240VAC
- **Output Power:** 12VDC at 3A (36W)
- **Operating Temperature:** 0°C to 60°C (32°F to 140°F)
- **Safety Protection:** Short Circuit, Over Current, Over voltage
- **Mounting:** Wallmount

Application: Power source for Vi2316A / Vi2308A / Vi2416A / Vi2408A

Vi0012

MaxiiPower™

12VDC, 12W Power Supply



Scan or Tap for More Info

- **Input Power:** 100-240VAC
- **Output Power:** 12VDC at 1A
- **Operating Temperature:** 0°C to 40°C (32°F to 104°F)
- **Safety Protection:** Short Circuit, Over Current, Over voltage
- **Mounting:** Wallmount

Application: Power source for Vi2301A / Vi2300A / Vi2401A / V2400A