

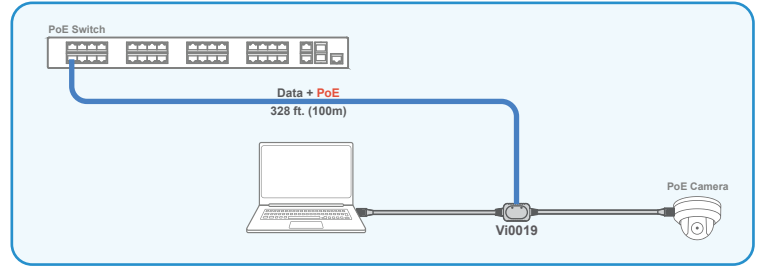
Vi0019

IP camera installation and POE Indicator Tool

MaxiiMate™



Scan or Tap for More Info



Provides a simple, low-cost method to check for PoE. In-line installation with LED indicators identifies valid connections between PoE and powered devices. Compatible with 10/100BaseT and 802.3af/at/bt, supporting up to 60W.

Application: Verify valid connection and PoE presence.

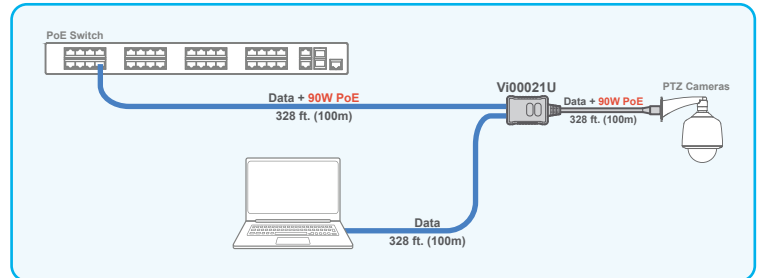
Vi00021U

IP camera Installation and 90W PoE Test Tool

ViewMate™



Scan or Tap for More Info



Application: Ensures valid PoE connections and detects marginal or fluctuating power for reliable network performance.

Real-time digital monitoring of PoE power and voltage with in-line installation to verify PoE connection quality. Supports 10/100/1000 Ethernet data rate and is compatible with 802.3af/at/bt/UPoE up to 90W.

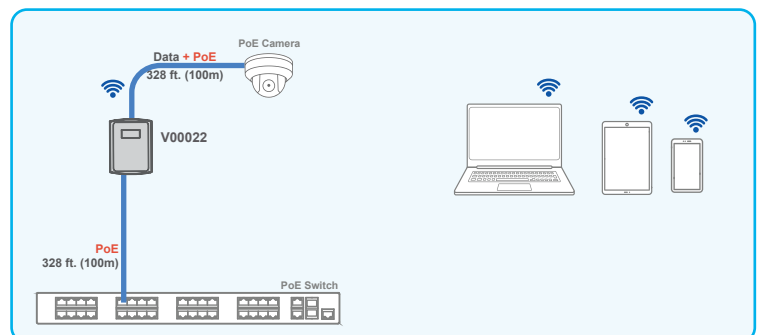
Vi00022

Wireless IP Camera Installation and PoE Test Tool

MaxiiPower™



Scan or Tap for More Info



Application: Monitor PoE and voltage levels to detect marginal or fluctuating power. Utilize the wireless feature for focusing and setting up cameras in remote locations.

Displays real-time digital monitoring of power and voltage. Supports wireless and wired 10/100/1000 bandwidth. Compatible with 802.3af/at up to 36W.

Vi00023 Vi00023L

MaxiiView™

Wireless IP Camera Installation Tool with PoE Power Bank



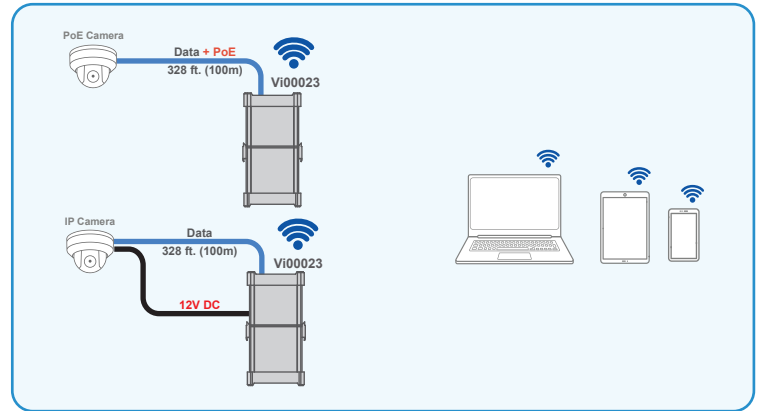
Vi00023L



Vi00023



Scan or Tap for More Info



Application: Provide PoE, set up, focus, and troubleshoot IP cameras with wireless or wired connectivity.

The Vi00023 enables fast and reliable IP camera focusing and adjustment via WiFi and wired connections, displaying live views on phones, tablets, or laptops. It acts as a PoE source (up to 36W), provides 12VDC output, and includes a USB charging port. Compact, lightweight, and powered by a removable rechargeable battery, it streamlines camera installation and troubleshooting.

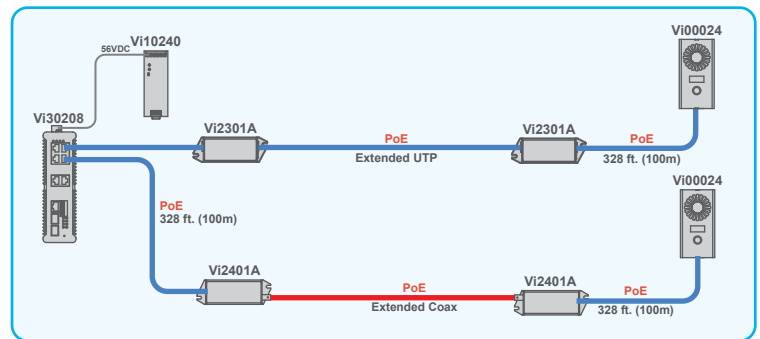
Vi00024

PowerMate™

PoE Maximum Load Meter w/ Voltage & Power Monitor



Scan or Tap for More Info



Application: Measuring maximum available PoE power at each point of a network before installing a PoE device.

Measures PoE capacity before camera installation, supporting IEEE 802.3af/at/bt up to 74W. Offers Manual and Auto modes for power testing. Features a USB-C rechargeable battery for extended use. Speeds up installations and helps resolve PoE issues.

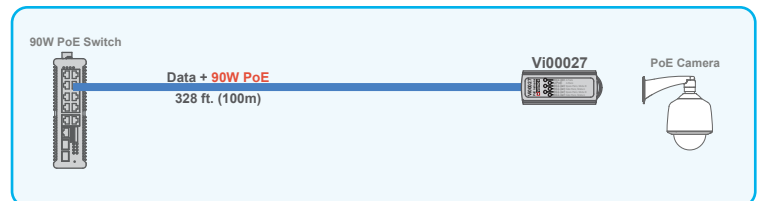
Vi00027

PowerMate™

PoE Test Tool



Scan or Tap for More Info



Application: Can verify PoE type and cable configuration

The Vi00027 verifies PoE type and cable configuration, ensuring compatibility before installing an IP camera. It detects Modes A and B for IEEE 802.3af/at/bt and UPoE.