

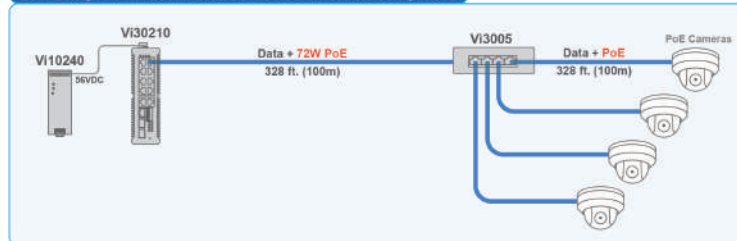
Vi3005 UTP Ethernet and PoE Extenders

MaxiiNet™



Scan or Tap for More Info

Powering the Vi3005 and 4 remote cameras using PoE



Application: Adding remote cameras to existing installations

- 4 PoE ports, 1 combo UTP/Fiber uplink port
- 10/100Mbps bandwidth
- Can be powered by 74W PoE input or local 120W DC
- Provides up to 37W per port
- 802.3af/at Class 0-4 compatible
- Wide temperature -30C to +75C
- Wall mount

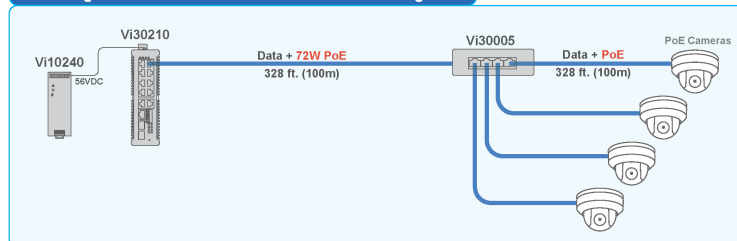
Vi30005 Coax Ethernet and PoE Extenders

MaxiiNet™



Scan or Tap for More Info

Powering the Vi30005 and 4 remote cameras using PoE



Application: Adding remote cameras to existing installations

- 4 PoE ports, 1 combo UTP/Fiber uplink port
- 100/1000 Mbps bandwidth
- Can be powered by 74W PoE input or local 120W DC
- Provides up to 37W per port
- 802.3af/at Class 0-4 compatible
- Wide temperature -30C to +75C
- Wall mount

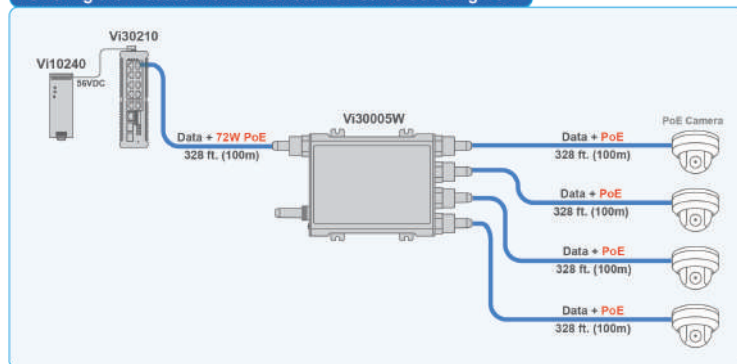
Vi30005W Single Pair Ethernet and PoE Extenders

MaxiiNet™



Scan or Tap for More Info

Powering the Vi30005W and 4 remote PoE cameras using PoE



Application: Adding remote cameras under harsh environmental conditions

- Waterproof
 - IP67 tested, rated dust and water protection
 - IEC600068-2-52 salt laden protection
- 4 PoE ports, 1 combo UTP/Fiber uplink port
- 100/1000 Mbps bandwidth
- Can be powered by 74W PoE input or local 120W DC
- Provides up to 37W per port
- 802.3af/at Class 0-4 compatible
- Wide temperature -30C to +75C
- Wall/Pole mount

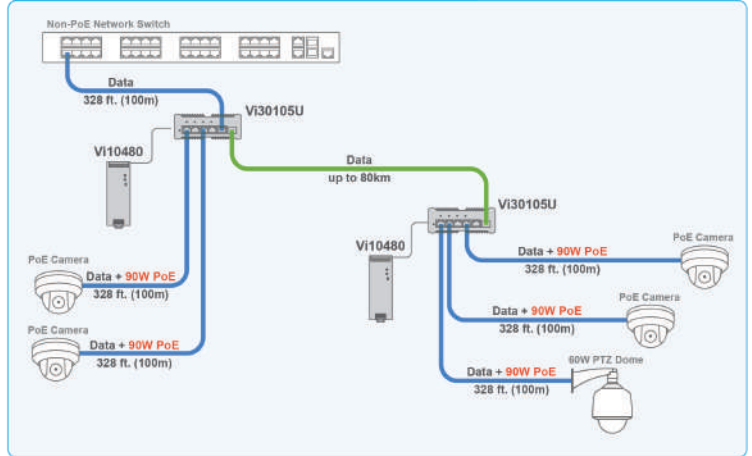
Vi30105U Fiber Media Converters

MaxiiNet™



Scan or Tap for More Info

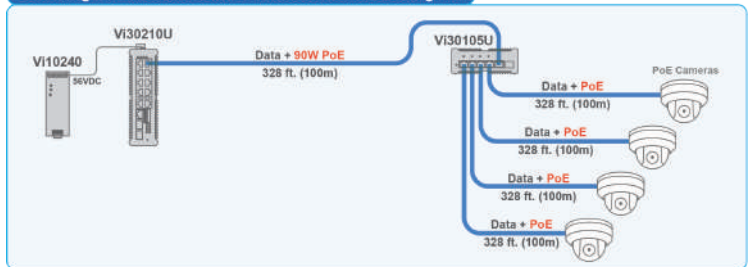
Connecting several Vi30105Us to make a large network



Application: Adding 802.3bt cameras to existing installations both at the headend or remote locations

- 4 PoE ports, 1 combo UTP/Fiber uplink port
- 100/1000 Mbps bandwidth
- Can be powered by 90W PoE input or local 400W DC
- Provides up to 90W per port
- 802.3af/at/ bt Class 0-8 compatible and previous non-standard high PoE
- Wide temperature -30C to +75C
- DIN Rail/Wall Mount

Powering the Vi30105U and 4 remote cameras using PoE



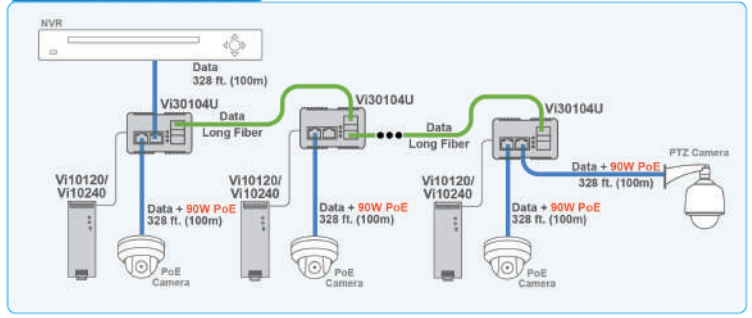
Vi30104U Ethernet and PoE Repeaters

MaxiiNet™



Scan or Tap for More Info

Drop and Insert Application



Application: Adding 802.3bt cameras to existing installations both at the headend or remote locations
- Poles and Perimeter Applications

- 2 PoE UTP ports, 2 Fiber ports
- 100/1000 Mbps bandwidth
- Can be powered local 400W DC
- Provides up to 90W per port
- 802.3af/at/ bt Class 0-8 compatible and previous non-standard high PoE

Providing PoE to 2 remote cameras

