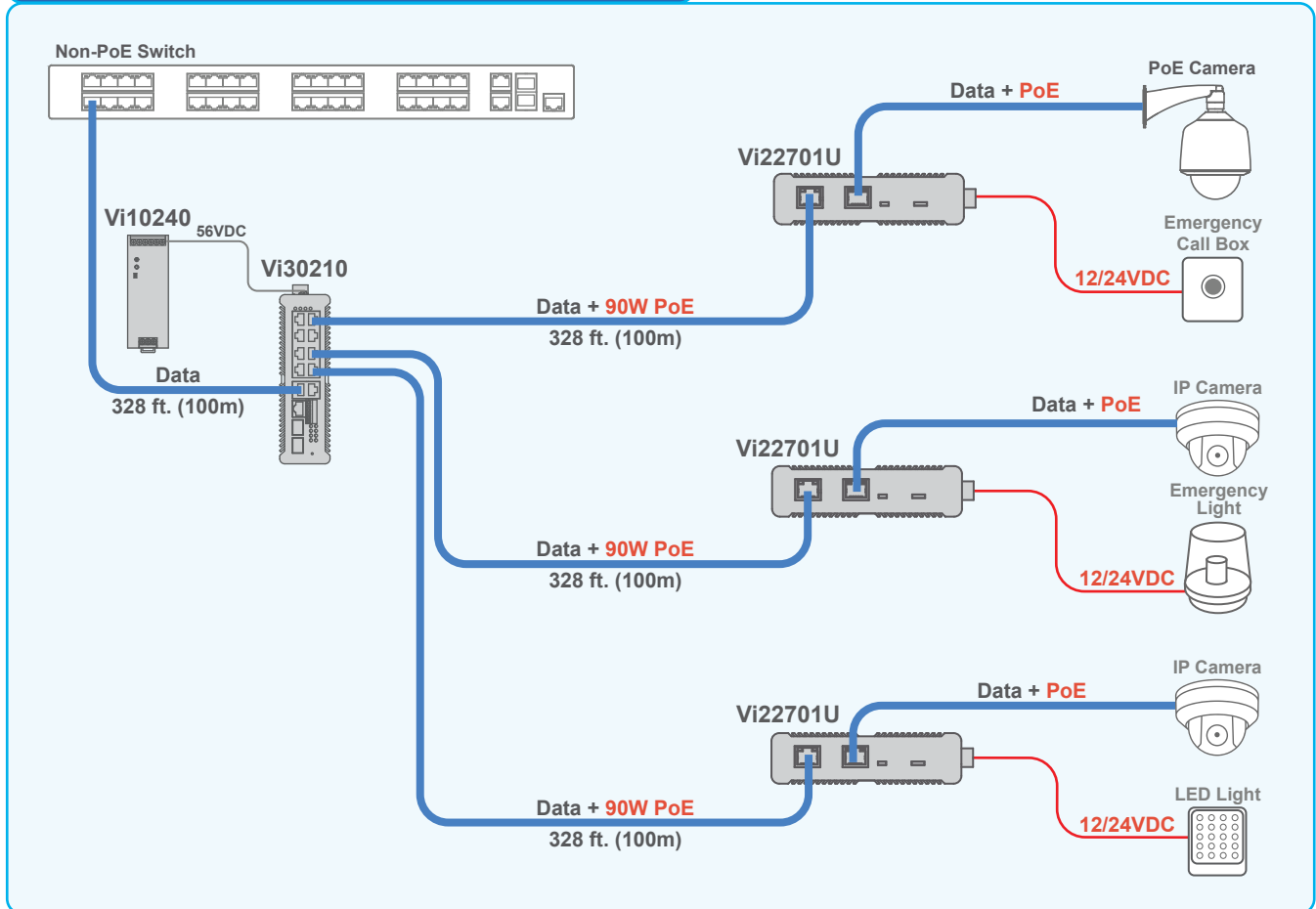


Cat 5/6

## Powering PoE and non-PoE devices distances



The Vi22701U can power a wide range of PoE devices while providing 12/16/24 or 48VDC to non-PoE devices.